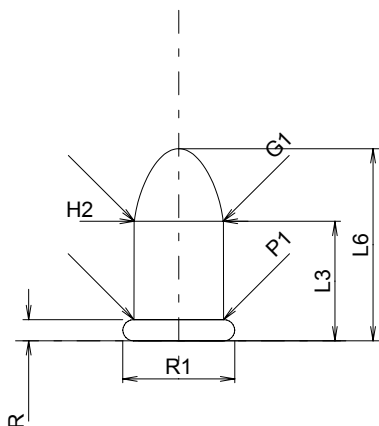


C.I.P.**6mm Flobert à balle**TAB. **V**Date **84-06-14**

Pays d'origine: FR

Révision **00-06-07****CARTOUCHE MAXI****Longueurs**

L1	=	
L2	=	
L3 ¹⁾	=	7.90
L4	=	
L5	=	
L6	=	12.70

Colot

R ¹⁾	=	1.40	-0.18
R1	=	7.40	
R3	=		
E	=		
E1	=		
e min	=		
δ	=		
f	=		
β	=		

Chambre à poudre

P1	=	5.92
P2	=	

Cône de raccordement

α	=	
S	=	
r1 min	=	
r2	=	

Collet

H1	=	
H2 ¹⁾	=	5.90

Projectile

G1 ¹⁾	=	5.87
G2	=	
F	=	
L3+G ¹⁾	=	10.00

Pressions (Énergies)**Énergie**

E _{max}	=	70.0	Joule
E _K	=	74.9	Joule
E _E	=	77.0	Joule

Autres indications

Fe ¹⁾	=	0.20
delta L	=	

CHAMBRE MINI**Longueurs**

L1	=	
L2	=	
L3 ¹⁾	=	7.90

Cuvette

R ¹⁾	=	1.40
R1	=	7.55
R2	=	
R3	=	
r	=	

Chambre à poudre

E	=	
P1 ¹⁾	=	5.93
P2	=	

Cône de raccordement

α	=	
S	=	
r1 max	=	
r2	=	

Collet

H1	=	
H2 ¹⁾	=	5.90

Prise de rayures

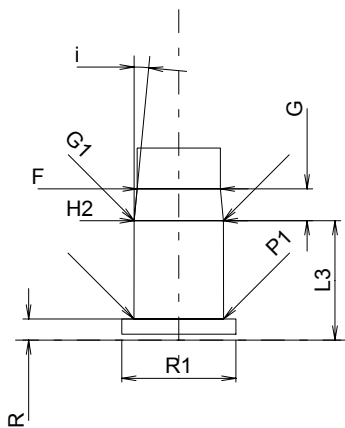
G1 [*]	=	5.90
G [*]	=	2.10
α1	=	
h	=	
s	=	
i	=	5°26'25"
w	=	

Canon

F ^{1)*}	=	5.50
Z ¹⁾	=	5.50

Rayures

b	=	
N	=	
u	=	
Q	=	23.76 mm ²



Échelle 2:1

Dimensions en << mm >>
Dimensions et tolérances pour les canons
d'épreuve: Voyez Annexe CR 2.

Notes: 1) A' contrôler pour la sécurité
* Dimensions de base