

C.I.P.**5,6mm (22) Flobert à balle**

TAB.

V

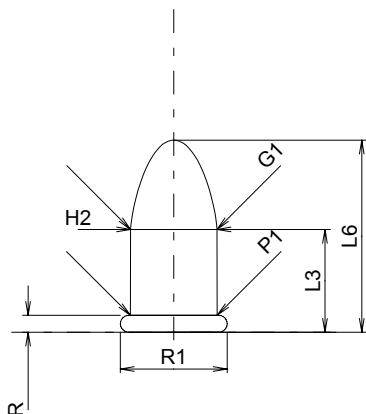
Date

84-06-14

Révision

00-06-07

Pays d'origine: IT/DE

**CARTOUCHE MAXI****Longueurs**

| | | |
|------------------|---|-------|
| L1 | = | |
| L2 | = | |
| L3 ¹⁾ | = | 6.80 |
| L4 | = | |
| L5 | = | |
| L6 | = | 12.70 |

Culot

| | | | |
|-----------------|---|------|-------|
| R ¹⁾ | = | 1.12 | -0.18 |
| R1 | = | 7.06 | |
| R3 | = | | |
| E | = | | |
| E1 | = | | |
| e min | = | | |
| δ | = | | |
| f | = | | |
| β | = | | |

Chambre à poudre

| | | |
|----|---|------|
| P1 | = | 5.74 |
| P2 | = | |

Cône de raccordement

| | | |
|--------|---|--|
| α | = | |
| S | = | |
| r1 min | = | |
| r2 | = | |

Collet

| | | |
|------------------|---|------|
| H1 | = | |
| H2 ¹⁾ | = | 5.73 |

Projectile

| | | |
|--------------------|---|------|
| G1 ¹⁾ | = | 5.71 |
| G2 | = | |
| F | = | |
| L3+G ¹⁾ | = | 8.81 |

Pressions (Énergies)**Énergie**

| | | |
|------------------|---|------------|
| E _{max} | = | 70.0 Joule |
| E _K | = | 74.9 Joule |
| E _E | = | 77.0 Joule |

Autres indications

| | | |
|------------------|---|------|
| Fe ¹⁾ | = | 0.20 |
| delta L | = | |

CHAMBRE MINI**Longueurs**

| | | |
|------------------|---|------|
| L1 | = | |
| L2 | = | |
| L3 ¹⁾ | = | 7.80 |

Cuvette

| | | |
|-----------------|---|------|
| R ¹⁾ | = | 1.12 |
| R1 | = | 7.30 |
| R2 | = | |
| R3 | = | |
| r | = | |

Chambre à poudre

| | | |
|------------------|---|------|
| E | = | |
| P1 ¹⁾ | = | 5.76 |
| P2 | = | |

Cône de raccordement

| | | |
|--------|---|--|
| α | = | |
| S | = | |
| r1 max | = | |
| r2 | = | |

Collet

| | | |
|------------------|---|------|
| H1 | = | |
| H2 ¹⁾ | = | 5.73 |

Prise de rayures

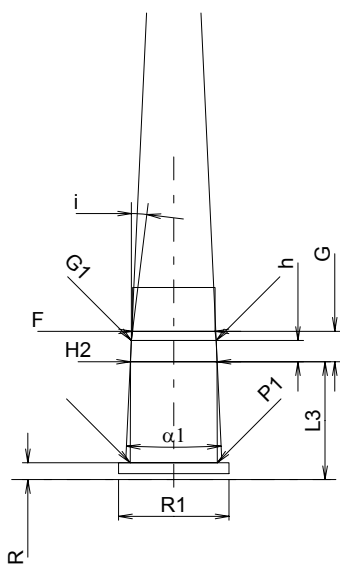
| | | |
|-----------------|---|----------|
| G1 [*] | = | 5.60 |
| G [*] | = | 2.01 |
| α1 | = | 5°18'58" |
| h [*] | = | 1.40 |
| s | = | |
| i | = | 7°00'33" |
| w | = | |

Canon

| | | |
|------------------|---|------|
| F ^{1)*} | = | 5.45 |
| Z ¹⁾ | = | 5.60 |

Rayures

| | | |
|---|---|-----------------------|
| b | = | 1.25 |
| N | = | 6 |
| u | = | 450.00 |
| Q | = | 23.90 mm ² |



Échelle 2:1

Dimensions en << mm >>
Dimensions et tolérances pour les canons
d'épreuve: Voyez Annexe CR 2.

Notes: 1) A' contrôler pour la sécurité
* Dimensions de base