

C.I.P.**22 Extra Long**

TAB.

V

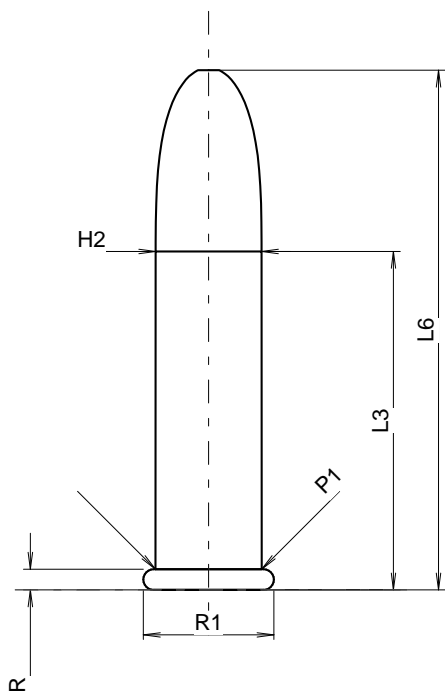
Date

84-06-14

Révision

00-06-07

Pays d'origine: US

**CARTOUCHE MAXI****Longueurs**

L1	=	
L2	=	
L3 ¹⁾	=	18.30
L4	=	
L5	=	
L6	=	28.10

Culot

R ¹⁾	=	1.12	-0.18
R1	=	7.06	
R3	=		
E	=		
E1	=		
e min	=		
δ	=		
f	=		
β	=		

Chambre à poudre

P1	=	5.74
P2	=	

Cône de raccordement

α	=	
S	=	
r1 min	=	
r2	=	

Collet

H1	=	
H2 ¹⁾	=	5.72

Projectile

G1 ¹⁾	=	5.72
G2	=	
F	=	
L3+G ¹⁾	=	19.44

Pressions (Énergies)**Méthode crusher**

Pmax	=	1400 bar
PK	=	1610 bar
PE	=	1820 bar
M	=	20.10

Autres indications

Fe ¹⁾	=	0.20
delta L	=	

CHAMBRE MINI**Longueurs**

L1	=	
L2	=	
L3 ¹⁾	=	19.03

Cuvette

R ¹⁾	=	1.10
R1	=	7.30
R2	=	
R3	=	
r	=	

Chambre à poudre

E	=	
P1 ¹⁾	=	5.78
P2	=	

Cône de raccordement

α	=	
S	=	
r1 max	=	
r2	=	

Collet

H1	=	
H2 ¹⁾	=	5.72

Prise de rayures

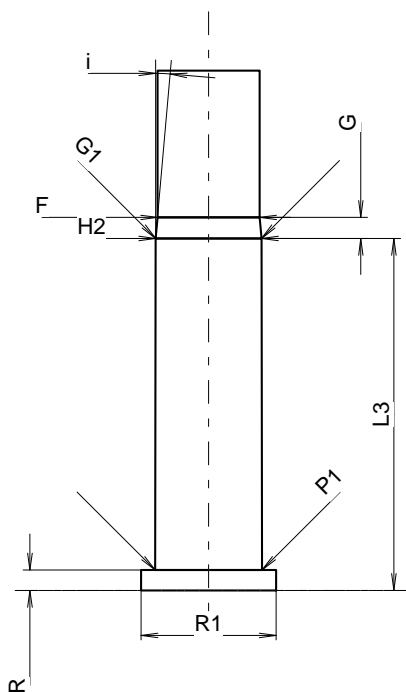
G1 *	=	5.72
G	=	1.14
α1	=	
h	=	
s	=	
i *	=	5°
w	=	

Canon

F ¹⁾ *	=	5.52
Z ¹⁾	=	5.58

Rayures

b	=	2.16
N	=	6
u	=	406.00
Q	=	24.33 mm ²



Échelle 2.45:1

Dimensions en << mm >>
Dimensions et tolérances pour les canons
d'épreuve: Voyez Annexe CR 2.

Notes: 1) A' contrôler pour la sécurité
* Dimensions de base