

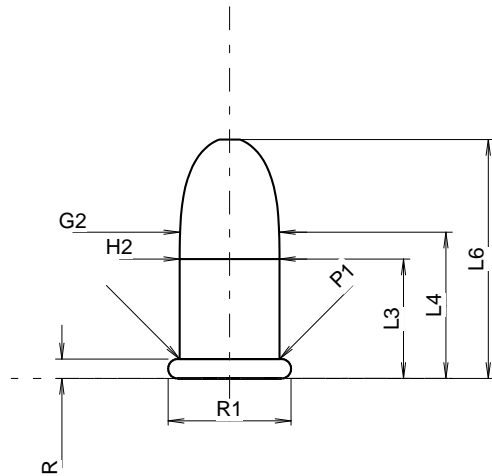
C.I.P.**22 CB Cap**

Pays d'origine: US

TAB. V

Date 84-06-13

Révision 00-06-07

**CARTOUCHE MAXI****Longueurs**

L1	=	
L2	=	
L3 ¹⁾	=	6.86
L4	=	8.40
L5	=	
L6	=	13.72

Culot

R ¹⁾	=	1.12	-0.18
R1	=	7.06	
R3	=		
E	=		
E1	=		
e min	=		
δ	=		
f	=		
β	=		

Chambre à poudre

P1	=	5.72
P2	=	

Cône de raccordement

α	=	
S	=	
r1 min	=	
r2	=	

Collet

H1	=	
H2 ¹⁾	=	5.72

Projectile

G1 ¹⁾	=	5.72
G2	=	5.72
F	=	
L3+G ¹⁾	=	8.87

Pressions (Énergies)**Énergie**

E _{max}	=	70.0 Joule
E _K	=	74.9 Joule
E _E	=	77.0 Joule

Autres indications

Fe ¹⁾	=	0.20
delta L	=	

CHAMBRE MINI**Longueurs**

L1	=	
L2	=	
L3 ¹⁾	=	7.80

Cuvette

R ¹⁾	=	1.10
R1	=	7.30
R2	=	
R3	=	
r	=	

Chambre à poudre

E	=	
P1 ¹⁾	=	5.76
P2	=	

Cône de raccordement

α	=	
S	=	
r1 max	=	
r2	=	

Collet

H1	=	
H2 ¹⁾	=	5.72

Prise de rayures

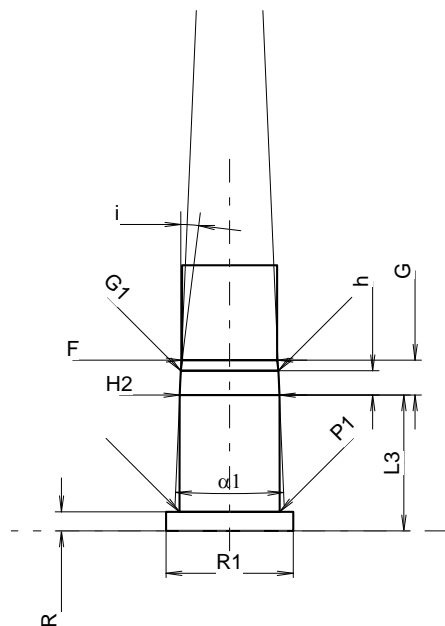
G1 *	=	5.60
G	=	2.01
α1 *	=	4°54'28"
h	=	1.40
s	=	
i *	=	7°00'33"
w	=	

Canon

F ¹⁾ *	=	5.45
Z ¹⁾	=	5.60

Rayures

b	=	1.25
N	=	6
u	=	450.00
Q	=	23.90 mm ²



Échelle 2.3:1

Dimensions en << mm >>
Dimensions et tolérances pour les canons
d'épreuve: Voyez Annexe CR 2.

Notes: 1) A' contrôler pour la sécurité
* Dimensions de base