

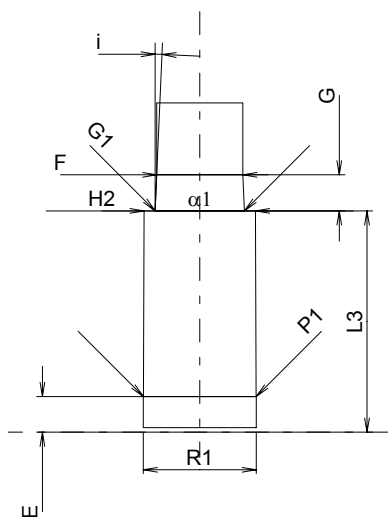
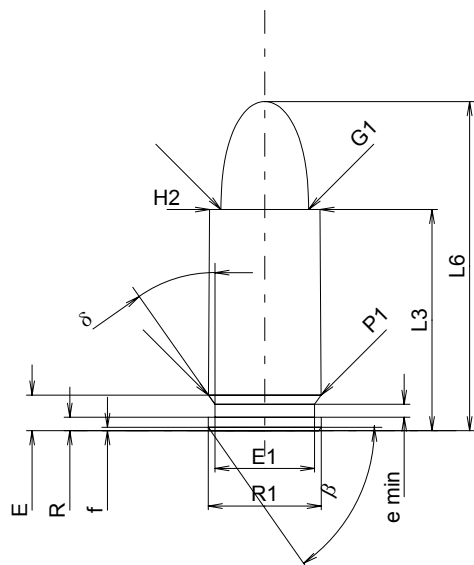
C.I.P.**9 mm FX & CQT**

TAB. IV

Date 98-01-27

Pays d'origine: CA

Révision 00-06-07

**CARTOUCHE MAXI****Longueurs**

L1	=		
L2	=		
L3 ¹⁾	=	19.51	-0.25
L4	=		
L5	=		
L6	=	29.03	

Culot

R	=	1.19	
R1	=	9.96	
R3	=		
E	=	3.14	
E1	=	8.79	
e min	=	1.14	
delta	=	35°	
f	=	0.30	
beta	=	55°	

Chambre à poudre

P1	=	9.93	
P2	=		

Cône de raccordement

alpha	=		
S	=		
r1 min	=		
r2	=		

Collet

H1	=		
H2 ¹⁾	=	9.75	

Projectile

G1 ¹⁾	=	7.72	
G2	=		
F	=		
L3+G ¹⁾	=	22.69	

Pressions (Énergies)**Méthode transducteur**

Pmax	=	350 bar	
PK	=	403 bar	
PE	=	455 bar	
M	=	12.50	

Autres indications

Fe ¹⁾	=	0.30	
delta L	=		

CHAMBRE MINI**Longueurs**

L1	=		
L2	=	14.00	
L3 ¹⁾	=	19.51	

Cuvette

R	=		
R1	=	9.96	
R2	=		
R3	=		
r	=		

Chambre à poudre

E	=	3.14	
P1 ¹⁾	=	9.94	
P2*	=	9.86	

Cône de raccordement

alpha	=		
S	=		
r1 max	=		
r2	=		

Collet

H1	=		
H2 ¹⁾	=	9.82	

Prise de rayures

G1 ^{1)*}	=	7.87	
G ¹⁾	=	3.18	
alpha1*	=	180°	
h	=		
s	=		
i ^{1)*}	=	2°31'14"	
w	=		

Canon

F ^{1)*}	=	7.59	
Z ¹⁾	=	7.81	

Rayures

b	=	1.02	
N	=	6	
u	=	254.00	
Q	=	45.92	mm ²

Échelle 1.5:1

Dimensions en << mm >>
Dimensions et tolérances pour les canons
d'épreuve: Voyez Annexe CR 1.

Notes: 1) A' contrôler pour la sécurité
* Dimensions de base