

C.I.P.**9 mm Browning court**

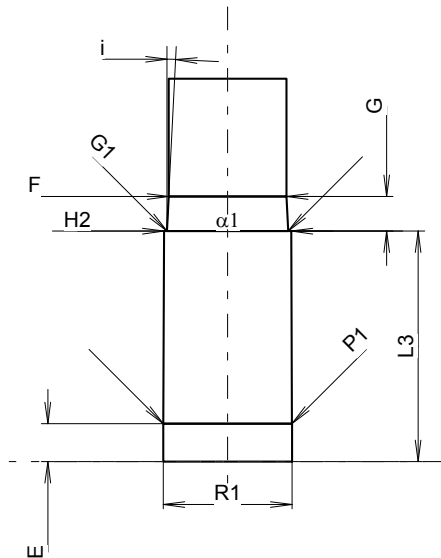
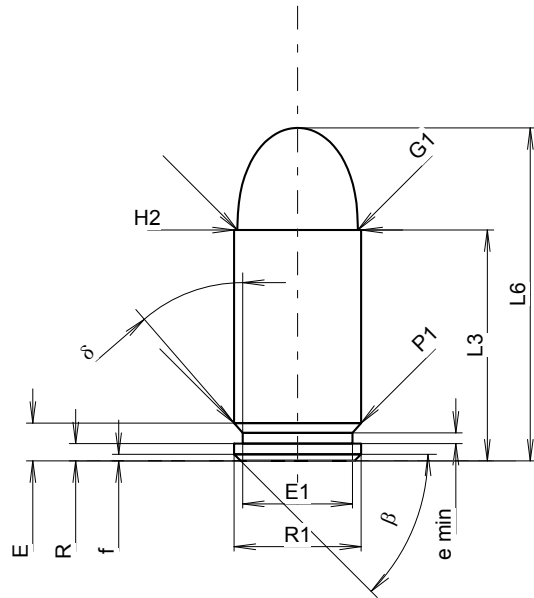
TAB. IV

Date 84-06-14

Révision 08-09-23

Pays d'origine: BE

Marquage alternatif: 9mm Browning Kurz (short, corto), 9 mm kurz, 380 ACP, 380 Auto(matic)



Échelle 1.76:1

CARTOUCHE MAXI**Longueurs**

L1	=		
L2	=		
L3 ¹⁾	=	17.33	-0.25
L4	=		
L5	=		
L6	=	25.00	

Culot

R	=	1.30	
R1	=	9.53	
R3	=		
E	=	2.84	
E1	=	8.25	
e min	=	0.80	
delta	=	40°	
f	=	0.50	
beta	=	45°	

Chambre à poudre

P1	=	9.53	
P2	=		

Cône de raccordement

alpha	=		
S	=		
r1 min	=		
r2	=		

Collet

H1	=		
H2 ¹⁾	=	9.53	

Projectile

G1 ¹⁾	=	9.04	
G2	=		
F	=		
L3+G ¹⁾	=	19.93	

Pressions (Énergies)**Méthode transducteur**

Pmax	=	1350 bar	
PK	=	1553 bar	
PE	=	1755 bar	
M	=	9.00	

Autres indications

Fe ¹⁾⁶⁾	=	0.30	
delta L	=		

CHAMBRE MINI**Longueurs**

L1	=		
L2	=		
L3 ¹⁾	=	17.30	

Cuvette

R	=		
R1	=	9.66	
R2	=		
R3	=		
r	=		

Chambre à poudre

E	=	2.84	
P1 ¹⁾	=	9.65	
P2	=		

Cône de raccordement

alpha	=		
S	=		
r1 max	=		
r2	=		

Collet

H1	=		
H2 ¹⁾	=	9.55	

Prise de rayures

G1 ¹⁾ *	=	9.10	
G ¹⁾ *	=	2.60	
alpha 1	=	180°	
h	=		
s	=		
i ¹⁾	=	2°51'45"	
w	=		

Canon

F ¹⁾ *	=	8.84	
Z ¹⁾	=	9.04	

Rayures

b	=	3.07	
N	=	6	
u	=	250.00	
Q	=	63.26	mm ²

Dimensions en << mm >>
Dimensions et tolérances pour les canons
d'épreuve: Voyez Annexe CR 1.

Notes: 1) A' contrôler pour la sécurité
6) Feuillure sur la bouche
* Dimensions de base