

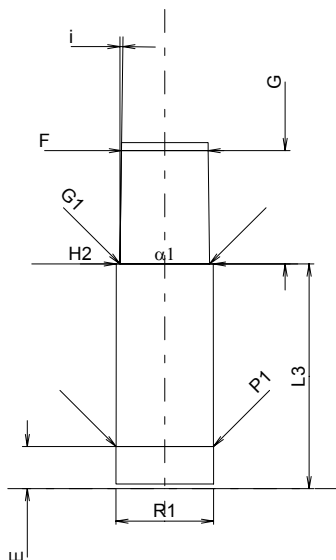
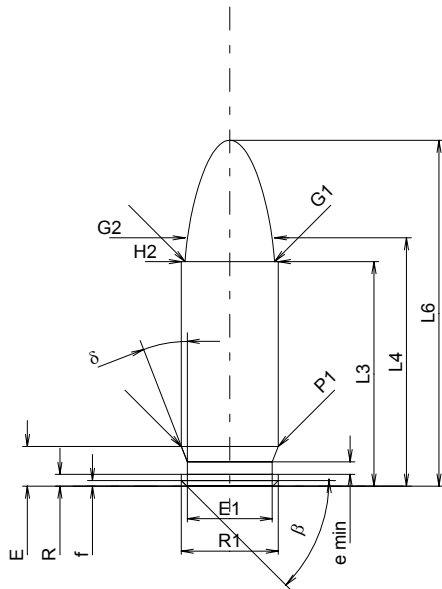
C.I.P.**7,65 Long**

TAB. IV

Date 92-04-17

Pays d'origine: FR

Révision 00-06-07

**CARTOUCHE MAXI****Longueurs**

L1	=		
L2	=		
L3 ¹⁾	=	19.80	-0.25
L4	=	21.90	
L5	=		
L6	=	30.50	

Colot

R	=	1.05	
R1	=	8.55	
R3	=		
E	=	3.50	
E1	=	7.50	
e min	=	1.10	
delta	=	21°15'02"	
f	=	0.50	
beta	=	45°	

Chambre à poudre

P1	=	8.55	
P2	=		

Cône de raccordement

alpha	=		
S	=		
r1 min	=		
r2	=		

Collet

H1	=		
H2 ¹⁾	=	8.55	

Projectile

G1 ¹⁾	=	7.88	
G2	=	7.88	
F	=		
L3+G ¹⁾	=	29.80	

Pressions (Énergies)**Méthode transducteur**

Pmax	=	1650 bar	
PK	=	1898 bar	
PE	=	2145 bar	
M	=	10.50	

Autres indications

Fe ¹⁾	=	0.30	
delta L	=		

CHAMBRE MINI**Longueurs**

L1	=		
L2	=		
L3 ¹⁾	=	19.80	

Cuvette

R	=	1.10	
R1	=	8.60	
R2	=		
R3	=		
r	=		

Chambre à poudre

E	=	3.70	
P1 ¹⁾	=	8.57	
P2	=		

Cône de raccordement

alpha	=		
S	=		
r1 max	=		
r2	=		

Collet

H1	=		
H2 ¹⁾	=	8.55	

Prise de rayures

G1 ^{1)*}	=	7.92	
G ^{1)*}	=	10.00	
alpha1	=	180°	
h	=		
s	=		
i ¹⁾	=	0°46'25"	
w	=		

Canon

F ^{1)*}	=	7.65	
Z ¹⁾	=	7.91	

Rayures

b	=	4.23	
N	=	4	
u	=	254.00	
Q	=	48.29	mm ²

Échelle 1.5:1

Dimensions en << mm >>
Dimensions et tolérances pour les canons
d'épreuve: Voyez Annexe CR 1.

Notes: 1) A' contrôler pour la sécurité
* Dimensions de base