

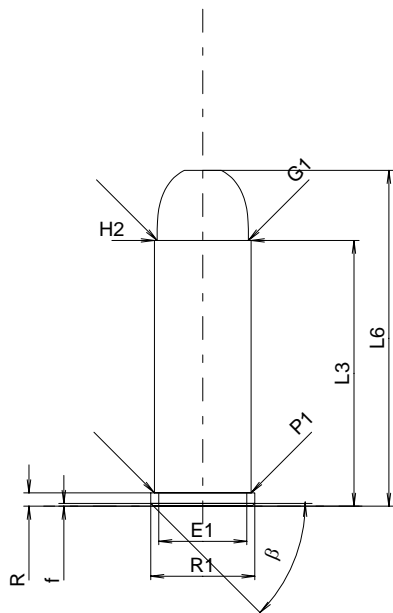
C.I.P.**475 LINEBAUGH**

TAB. IV

Date 03-02-17

Pays d'origine: US

Révision 04-09-27

**CARTOUCHE MAXI****Longueurs**

L1	=	
L2	=	
L3 ¹⁾	=	35.16
L4	=	
L5	=	
L6	=	44.43

Culot

R ¹⁾	=	1.78	-0.25
R1	=	13.77	
R3	=		
E	=		
E1	=	11.65	
e min	=		
δ	=		
f	=	0.38	
β	=	45°	

Chambre à poudre

P1	=	12.80
P2	=	

Cône de raccordement

α	=	
S	=	
r1 min	=	
r2	=	

Collet

H1	=	
H2 ¹⁾	=	12.80

Projectile

G1 ¹⁾	=	12.08
G2	=	
F	=	
L3+G ¹⁾	=	46.58

Pressions (Énergies)**Méthode transducteur**

Pmax	=	3450 bar
PK	=	3968 bar
PE	=	4485 bar
M	=	17.50

Autres indications

Fe	=	0.25
delta L	=	

CHAMBRE MINI**Longueurs**

L1	=	
L2	=	
L3 ¹⁾	=	35.74

Cuvette

R ¹⁾	=	1.80
R1	=	13.87
R2	=	
R3	=	
r	=	

Chambre à poudre

E	=	
P1 ¹⁾	=	12.86
P2	=	

Cône de raccordement

α	=	
S	=	
r1 max	=	
r2	=	

Collet

H1	=	
H2 ¹⁾	=	12.81

Prise de rayures

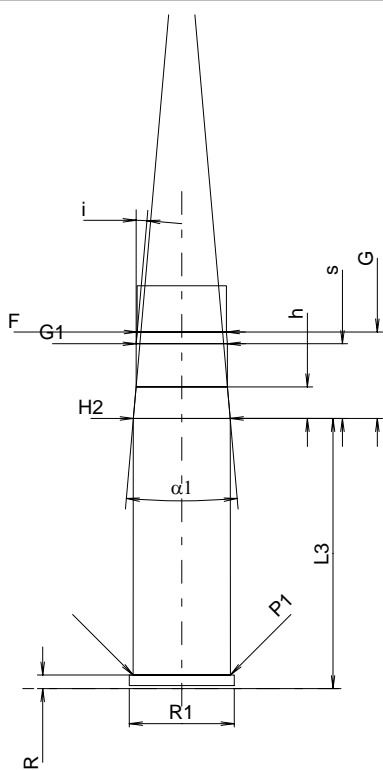
G1 ^{1)*}	=	12.08
G ¹⁾	=	11.42
α1 [*]	=	10°
h	=	4.17
s	=	9.88
i ^{1)*}	=	5°
w	=	

Canon

F ^{1)*}	=	11.81
Z ¹⁾	=	12.07

Rayures

b	=	4.06
N	=	6
u	=	457.00
Q	=	112.78 mm ²



Échelle 1:1

Dimensions en << mm >>
Dimensions et tolérances pour les canons
d'épreuve: Voyez Annexe CR 1.

Notes: 1) A' contrôler pour la sécurité
* Dimensions de base