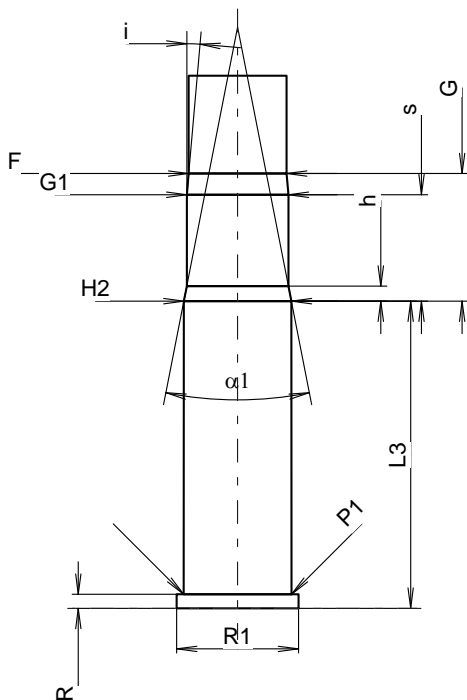
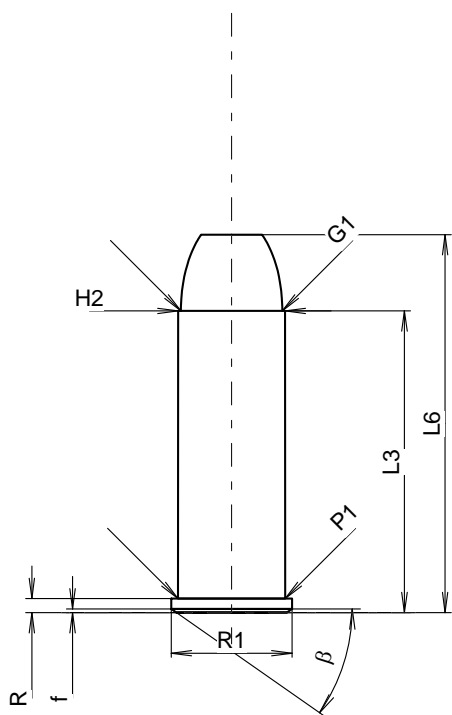


C.I.P.**44 Rem. Mag.**

TAB.	IV
Date	86-12-14
Révision	20-11-10

Pays d'origine: US

Marquage alternatif: 44 Magnum - 44 Mag.



Échelle 1.22:1

CARTOUCHE MAXI**Longueurs**

L1	=	
L2	=	
L3 ¹⁾	=	32.64
L4	=	
L5	=	
L6	=	40.89

Culot

R ¹⁾	=	1.52	-0.25
R1	=	13.06	
R3	=		
E	=		
E1	=		
e min	=		
delta	=		
f	=	0.40	
beta	=	35°	

Chambre à poudre

P1	=	11.61
P2	=	

Cône de raccordement

alpha	=	
S	=	
r1 min	=	
r2	=	

Collet

H1	=	
H2 ¹⁾	=	11.58

Projectile

G1 ¹⁾	=	10.97
G2	=	
F	=	
L3+G ¹⁾	=	46.44

Pressions (Énergies)**Méthode transducteur**

Pmax	=	2800 bar
PK	=	3220 bar
PE	=	3640 bar
M	=	17.50

Autres indications

Fe ¹⁾	=	0.25
delta L	=	

CHAMBRE MINI**Longueurs**

L1	=	
L2	=	
L3 ¹⁾	=	33.23

Cuvette

R ¹⁾	=	1.52
R1	=	13.18
R2	=	
R3	=	
r	=	

Chambre à poudre

E	=	
P1 ¹⁾	=	11.66
P2	=	

Cône de raccordement

alpha	=	
S	=	
r1 max	=	
r2	=	

Collet

H1	=	
H2 ¹⁾	=	11.63

Prise de rayures

G1 ¹⁾ *	=	10.99
G ¹⁾	=	13.80
alpha1 *	=	22°12'
h	=	1.63
s	=	11.51
i ¹⁾ *	=	5°
w	=	

Canon

F ¹⁾ *	=	10.59
Z ¹⁾	=	10.90

Rayures

b	=	2.73
N	=	6
u	=	508.00
Q	=	90.65 mm ²

Notes: 1) A' contrôler pour la sécurité
* Dimensions de base

Dimensions en << mm >>
Dimensions et tolérances pour les canons
d'épreuve: Voyez Annexe CR 1.