

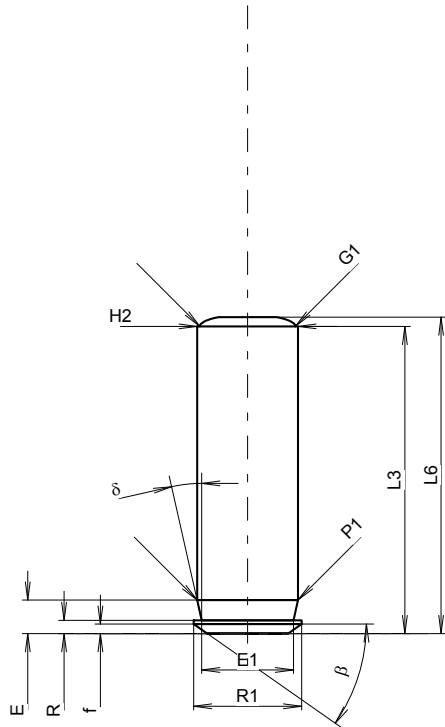
C.I.P.**38 Spl. AMU**

TAB. IV

Date 84-06-14

Pays d'origine: US

Révision 08-09-23

**CARTOUCHE MAXI****Longueurs**

L1	=	
L2	=	
L3 ¹⁾	=	29.34
L4	=	
L5	=	
L6	=	30.23

Culot

R ¹⁾	=	1.27	-0.25
R1	=	10.31	
R3	=		
E	=	3.20	
E1	=	8.76	
e min	=		
delta	=	12°42'05"	
f	=	0.91	
beta	=	35°	

Chambre à poudre

P1	=	9.63
P2	=	

Cône de raccordement

alpha	=	
S	=	
r1 min	=	
r2	=	

Collet

H1	=	
H2 ¹⁾	=	9.63

Projectile

G1 ¹⁾	=	9.11
G2	=	
F	=	
L3+G ¹⁾	=	45.76

Pressions (Énergies)**Méthode transducteur**

Pmax	=	1250 bar
PK	=	1438 bar
PE	=	1625 bar
M	=	10.50

Autres indications

Fe ¹⁾⁴⁾	=	0.25
delta L	=	

CHAMBRE MINI**Longueurs**

L1	=	
L2	=	
L3 ¹⁾	=	29.34

Cuvette

R ¹⁾	=	1.27
R1	=	10.41
R2	=	
R3	=	
r	=	

Chambre à poudre

E	=	
P1 ¹⁾	=	9.71
P2	=	

Cône de raccordement

alpha	=	
S	=	
r1 max	=	
r2	=	

Collet

H1	=	
H2 ¹⁾	=	9.65

Prise de rayures

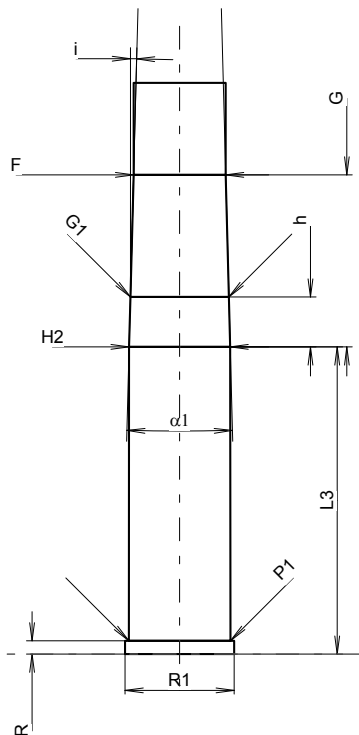
G1 ¹⁾ *	=	9.40
G ¹⁾	=	16.42
alpha1 *	=	3°
h	=	4.77
s	=	
i ¹⁾ *	=	1°30'
w	=	

Canon

F ¹⁾ *	=	8.79
Z ¹⁾	=	9.02

Rayures

b	=	3.07
N	=	6
u	=	356.00
Q	=	62.85 mm ²



Échelle 1.39:1

Dimensions en << mm >>
Dimensions et tolérances pour les canons
d'épreuve: Voyez Annexe CR 1.

Notes: 1) A' contrôler pour la sécurité
4) Feuillure sur la bourrelet
* Dimensions de base