

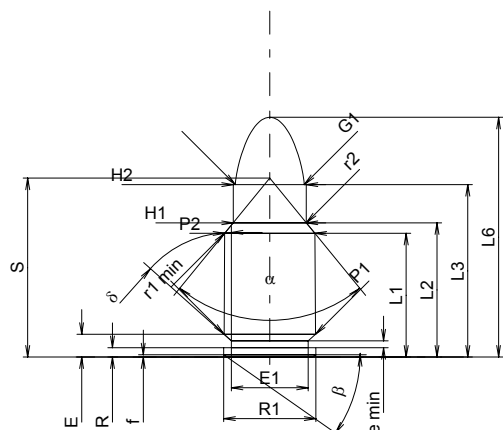
C.I.P.**38-45 ACP**

TAB. IV

Date 84-06-14

Pays d'origine: US

Révision 00-06-07

**CARTOUCHE MAXI****Longueurs**

L1 ¹⁾	=	16.35	-0.20
L2 ¹⁾	=	17.75	-0.20
L3 ¹⁾	=	22.80	
L4	=		
L5	=		
L6	=	31.70	

Culot

R	=	1.24	
R1	=	12.19	
R3	=		
E	=	3.01	
E1	=	10.15	
e min	=	0.90	
delta	=	45°	
f	=	0.30	
beta	=	35°	

Chambre à poudre

P1	=	12.10	
P2 ^{1)*}	=	11.94	-0.20

Cône de raccordement

alpha*	=	78°30'	
S*	=	23.66	
r1 min	=	1.20	
r2	=	1.20	

Collet

H1*	=	9.65	
H2 ¹⁾	=	9.65	

Projectile

G1 ¹⁾	=	9.12	
G2	=		
F	=		
L3+G ¹⁾	=	28.16	

Pressions (Énergies)**Méthode transducteur**

Pmax	=	2350 bar	
PK	=	2703 bar	
PE	=	3055 bar	
M	=	12.50	

Autres indications

Fe ¹⁾	=	0.20	
delta L	=		

CHAMBRE MINI**Longueurs**

L1	=	16.33	
L2	=	17.72	
L3 ¹⁾	=	23.10	

Cuvette

R	=	1.24	
R1	=	12.22	
R2	=		
R3	=		
r	=		

Chambre à poudre

E	=	3.01	
P1 ¹⁾	=	12.15	
P2*	=	11.98	

Cône de raccordement

alpha ^{1)*}	=	78°30'	
S*	=	23.66	
r1 max	=	1.20	
r2	=	1.50	

Collet

H1*	=	9.70	
H2 ¹⁾	=	9.68	

Prise de rayures

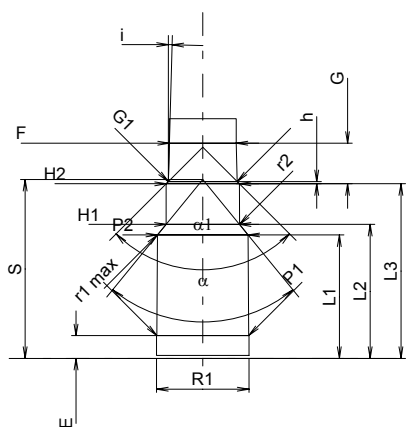
G1 ^{1)*}	=	9.13	
G ¹⁾	=	5.36	
alpha1*	=	90°	
h	=	0.28	
s	=		
i ^{1)*}	=	1°38'05"	
w	=		

Canon

F ^{1)*}	=	8.84	
Z ¹⁾	=	9.09	

Rayures

b	=	2.80	
N	=	6	
u	=	475.00	
Q	=	63.51	mm ²



Échelle 1:1

Dimensions en << mm >>
Dimensions et tolérances pour les canons
d'épreuve: Voyez Annexe CR 1.

Notes: 1) A' contrôler pour la sécurité
* Dimensions de base