

C.I.P.**30 PICRA**

TAB. IV

Date 99-04-20

Pays d'origine: CZ

Révision 00-06-07

CARTOUCHE MAXI**CHAMBRE MINI****Longueurs**

L1 ¹⁾ *	=	25.72	-0.20
L2 ¹⁾ *	=	27.03	-0.20
L3 ¹⁾	=	32.80	
L4	=		
L5	=		
L6	=	56.00	

Longueurs

L1 *	=	25.70
L2 *	=	28.98
L3 ¹⁾	=	33.00

Culot

R	=	1.50
R1	=	11.18
R3	=	
E	=	
E1	=	
e min	=	
δ	=	
f	=	0.38
β	=	45°

Cuvette

R	=	1.52
R1	=	11.28
R2	=	
R3	=	
r	=	0.20

Chambre à poudre

P1	=	9.60
P2 ¹⁾ *	=	9.57 -0.20

Chambre à poudre

E	=	
P1 ¹⁾	=	9.63
P2 *	=	9.61

Cône de raccordement

α	=	45°33'
S	=	37.12
r1 min	=	0.76
r2	=	2.54

Cône de raccordement

α ¹⁾	=	18°52'05"
S	=	54.62
r1 max	=	0.50
r2	=	0.50

Collet

H1 *	=	8.47
H2 ¹⁾	=	8.47

Collet

H1 *	=	8.52
H2 ¹⁾	=	8.50

Projectile

G1 ¹⁾	=	7.82
G2	=	
F	=	
L3+G ¹⁾	=	40.99

Prise de rayures

G1 ¹⁾ *	=	7.85
G ¹⁾ *	=	8.19
α1	=	89°07'31"
h	=	0.33
s *	=	3.80
i ¹⁾	=	1°30'02"
w	=	

Pressions (Énergies)**Méthode transducteur**

Pmax	=	2800 bar
PK	=	3220 bar
PE	=	3640 bar
M	=	17.50

Canon

F ¹⁾ *	=	7.62
Z ¹⁾	=	7.82

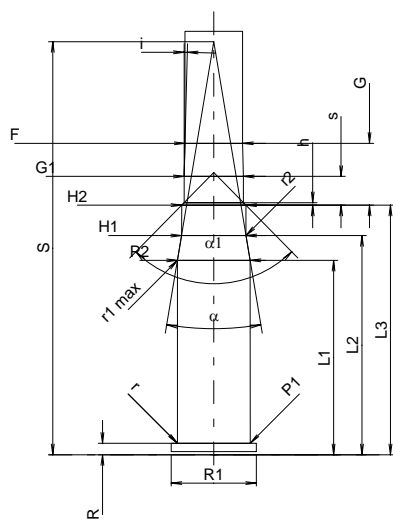
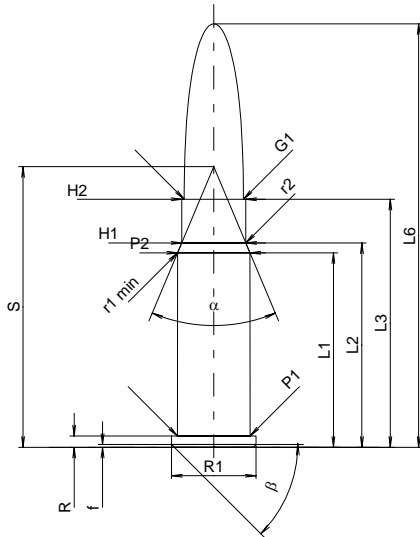
Rayures

b	=	4.49
N	=	4
u	=	254.00
Q	=	47.52 mm ²

Autres indications

Fe ¹⁾	=	0.15
delta L	=	

Notes: 1) A' contrôler pour la sécurité
* Dimensions de base



Échelle 1:1

Dimensions en << mm >>
Dimensions et tolérances pour les canons
d'épreuve: Voyez Annexe CR 1.