

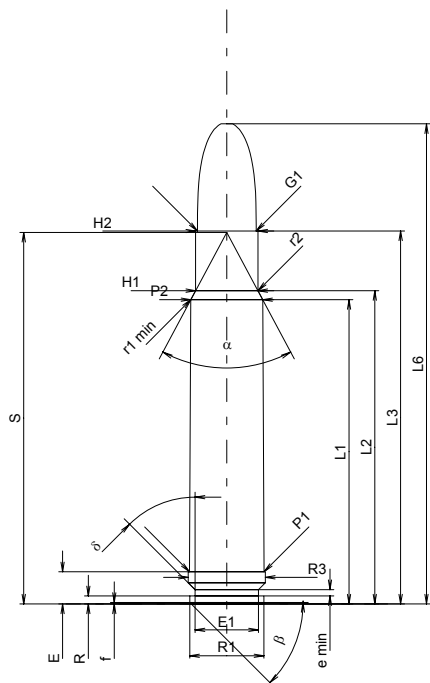
C.I.P.**460 Weath. Mag.**

TAB. III

Date 84-06-14

Pays d'origine: US

Révision 02-05-15

**CARTOUCHE MAXI****Longueurs**

L1	=	60.39
L2	=	62.17
L3 ¹⁾	=	73.99
L4	=	
L5	=	
L6	=	95.25

Culot

R	=	1.60
R1	=	14.71
R3	=	15.33
E ¹⁾	=	6.40
E1	=	12.57
e min	=	1.24
delta	=	45°
f	=	0.30
beta	=	45°

Chambre à poudre

P1	=	14.78
P2*	=	14.24

Cône de raccordement

alpha*	=	56°15'56"
S*	=	73.71
r1 min	=	3.30
r2	=	4.72

Collet

H1*	=	12.34
H2 ¹⁾	=	12.34

Projectile

G1 ¹⁾	=	11.64
G2	=	
F	=	
L3+G ¹⁾	=	98.71

Pressions (Énergies)**Méthode transducteur**

Pmax	=	4400 bar
PK	=	5060 bar
PE	=	5500 bar
M	=	25.00
EE	=	10605 Joule

Autres indications

Fe ¹⁾	=	0.10
delta L	=	

CHAMBRE MINI**Longueurs**

L1	=	60.56
L2	=	62.24
L3 ¹⁾	=	74.65

Cuvette

R	=	
R1	=	15.39
R2	=	
R3	=	15.39
r	=	

Chambre à poudre

E ¹⁾	=	6.43
P1 ¹⁾	=	14.83
P2*	=	14.32

Cône de raccordement

alpha*	=	56°05'38"
S*	=	74.00
r1 max	=	3.05
r2	=	4.62

Collet

H1*	=	12.53
H2 ¹⁾	=	12.47

Prise de rayures

G1 ¹⁾ *	=	11.64
G ¹⁾	=	24.72
alpha1*	=	90°
h	=	0.42
s	=	19.20
i ¹⁾ *	=	1°05'20"
w	=	

Canon

F ¹⁾ *	=	11.43
Z ¹⁾	=	11.63

Rayures

b	=	4.45
N	=	6
u	=	406.00
Q	=	104.44 mm ²

Échelle 1:1.5

Dimensions en << mm >>
Dimensions et tolérances pour les canons
d'épreuve: Voyez Annexe CR 1.

Notes: 1) A' contrôler pour la sécurité
* Dimensions de base