

C.I.P.**340 Weath. Mag.**

TAB.

III

Date

84-06-14

Pays d'origine: US

Révision

02-05-15

CARTOUCHE MAXI**CHAMBRE MINI****Longueurs**

L1	=	59.49
L2	=	61.60
L3 ¹⁾	=	71.76
L4	=	
L5	=	
L6	=	93.35

Longueurs

L1	=	59.59
L2	=	61.65
L3 ¹⁾	=	72.24

Culot

R	=	1.30
R1	=	13.50
R3	=	13.50
E ¹⁾	=	5.56
E1	=	11.61
e min	=	1.24
δ	=	45°
f	=	0.30
β	=	45°

Cuvette

R	=	
R1	=	13.56
R2	=	
R3	=	13.56
r	=	

Chambre à poudre

P1	=	13.00
P2 *	=	12.49

Chambre à poudre

E ¹⁾	=	5.59
P1 ¹⁾	=	13.06
P2 *	=	12.59

Cône de raccordement

α^*	=	74°06'26"
S *	=	67.76
r1 min	=	3.30
r2	=	4.62

Cône de raccordement

α^*	=	75°04'26"
S *	=	67.79
r1 max	=	3.05
r2	=	4.62

Collet

H1 *	=	9.30
H2 ¹⁾	=	9.30

Collet

H1 *	=	9.43
H2 ¹⁾	=	9.37

Projectile

G1 ¹⁾	=	8.59
G2	=	
F	=	
L3+G ¹⁾	=	87.33

Prise de rayures

G1 ¹⁾ *	=	8.60
G ¹⁾	=	15.57
$\alpha 1^*$	=	90°
h	=	0.39
s	=	9.47
i ¹⁾ *	=	1°01'59"
w	=	

Pressions (Énergies)**Méthode transducteur**

Pmax	=	4400 bar
PK	=	5060 bar
PE	=	5500 bar
M	=	25.00
EE	=	6825 Joule

Canon

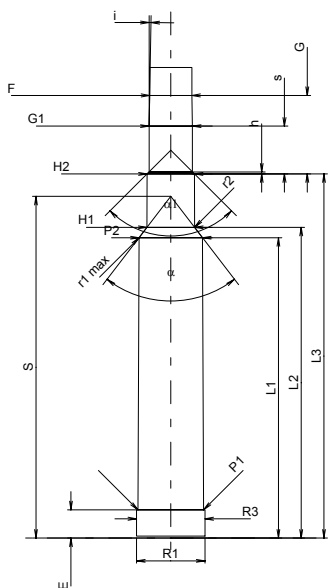
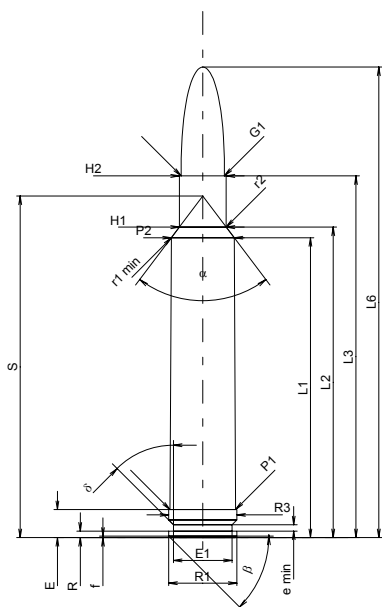
F ¹⁾ *	=	8.38
Z ¹⁾	=	8.59

Rayures

b	=	3.20
N	=	6
u	=	254.00
Q	=	57.22 mm ²

Autres indications

Fe ¹⁾	=	0.10
delta L	=	



Échelle 1:1.5

Dimensions en << mm >>
Dimensions et tolérances pour les canons
d'épreuve: Voyez Annexe CR 1.

Notes: 1) A' contrôler pour la sécurité
* Dimensions de base