

C.I.P.**270 Weath. Mag.**

TAB.

III

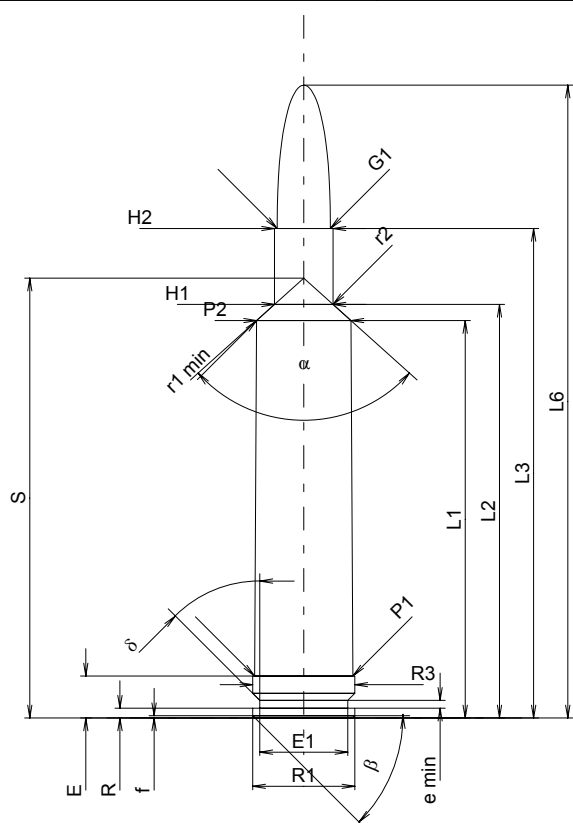
Date

84-06-14

Pays d'origine: US

Révision

02-05-15

**CARTOUCHE MAXI****Longueurs**

| | | |
|------------------|---|-------|
| L1 | = | 52.57 |
| L2 | = | 54.70 |
| L3 ¹⁾ | = | 64.74 |
| L4 | = | |
| L5 | = | |
| L6 | = | 83.69 |

Culot

| | | |
|-----------------|---|-------|
| R | = | 1.30 |
| R1 | = | 13.50 |
| R3 | = | 13.50 |
| E ¹⁾ | = | 5.56 |
| E1 | = | 11.61 |
| e min | = | 1.02 |
| delta | = | 45° |
| f | = | 0.30 |
| beta | = | 45° |

Chambre à poudre

| | | |
|-----|---|-------|
| P1 | = | 13.00 |
| P2* | = | 12.48 |

Cône de raccordement

| | | |
|--------|---|-----------|
| alpha* | = | 96°06'27" |
| S* | = | 58.18 |
| r1 min | = | 3.30 |
| r2 | = | 3.84 |

Collet

| | | |
|------------------|---|------|
| H1* | = | 7.75 |
| H2 ¹⁾ | = | 7.75 |

Projectile

| | | |
|--------------------|---|-------|
| G1 ¹⁾ | = | 7.04 |
| G2 | = | |
| F | = | |
| L3+G ¹⁾ | = | 79.77 |

Pressions (Énergies)**Méthode transducteur**

| | | |
|------|---|------------|
| Pmax | = | 4400 bar |
| PK | = | 5060 bar |
| PE | = | 5500 bar |
| M | = | 25.00 |
| EE | = | 4935 Joule |

Autres indications

| | | |
|------------------|---|------|
| Fe ¹⁾ | = | 0.10 |
| delta L | = | |

CHAMBRE MINI**Longueurs**

| | | |
|------------------|---|-------|
| L1 | = | 52.67 |
| L2 | = | 54.72 |
| L3 ¹⁾ | = | 65.13 |

Cuvette

| | | |
|----|---|-------|
| R | = | |
| R1 | = | 13.56 |
| R2 | = | |
| R3 | = | 13.56 |
| r | = | |

Chambre à poudre

| | | |
|------------------|---|-------|
| E ¹⁾ | = | 5.59 |
| P1 ¹⁾ | = | 13.06 |
| P2* | = | 12.58 |

Cône de raccordement

| | | |
|--------|---|-----------|
| alpha* | = | 97°39'39" |
| S* | = | 58.17 |
| r1 max | = | 3.05 |
| r2 | = | 3.84 |

Collet

| | | |
|------------------|---|------|
| H1* | = | 7.88 |
| H2 ¹⁾ | = | 7.82 |

Prise de rayures

| | | |
|--------------------|---|-------|
| G1 ¹⁾ * | = | 7.05 |
| G ¹⁾ | = | 15.03 |
| alpha1* | = | 90° |
| h | = | 0.39 |
| s | = | 9.60 |
| i ¹⁾ * | = | 0°57' |
| w | = | |

Canon

| | | |
|-------------------|---|------|
| F ¹⁾ * | = | 6.87 |
| Z ¹⁾ | = | 7.04 |

Rayures

| | | |
|---|---|-----------------------|
| b | = | 2.74 |
| N | = | 6 |
| u | = | 254.00 |
| Q | = | 38.50 mm ² |

Échelle 1:1

Dimensions en << mm >>
Dimensions et tolérances pour les canons
d'épreuve: Voyez Annexe CR 1.

Notes: 1) A' contrôler pour la sécurité
* Dimensions de base