

C.I.P.**8 x 65 R**

TAB.

II

Date

84-06-14

Pays d'origine: DE

Révision

02-05-15

CARTOUCHE MAXI**CHAMBRE MINI****Longueurs**

L1 [*]	=	51.80
L2 [*]	=	55.79
L3 ¹⁾	=	64.70
L4	=	
L5	=	
L6	=	86.00

Longueurs

L1 [*]	=	51.80
L2 [*]	=	55.79
L3 ¹⁾	=	65.00

Culot

R ¹⁾	=	1.40	-0.25
R1	=	13.32	
R3	=		
E	=		
E1	=		
e min	=		
δ	=		
f	=	0.30	
β	=	45°	

Cuvette

R ¹⁾	=	1.40
R1	=	13.37
R2	=	
R3	=	
r	=	

Chambre à poudre

P1	=	11.95
P2 [*]	=	10.85

Chambre à poudre

E	=	
P1 ¹⁾	=	11.98
P2 [*]	=	10.88

Cône de raccordement

α	=	28°00'18"
S	=	73.55
r1 min	=	
r2	=	

Cône de raccordement

α	=	28°00'18"
S	=	73.61
r1 max	=	
r2	=	

Collet

H1 [*]	=	8.86
H2 ¹⁾	=	8.86

Collet

H1 [*]	=	8.89
H2 ¹⁾	=	8.88

Projectile

G1 ¹⁾	=	8.09
G2	=	
F	=	
L3+G ¹⁾	=	98.70

Prise de rayures

G1 ¹⁾ *	=	8.14
G ¹⁾ *	=	34.00
α1	=	90°
h [*]	=	0.37
s	=	
i ¹⁾	=	0°17'22"
w	=	

Pressions (Énergies)**Méthode transducteur**

Pmax	=	3900 bar
PK	=	4485 bar
PE	=	4875 bar
M	=	25.00
EE	=	4410 Joule

Canon

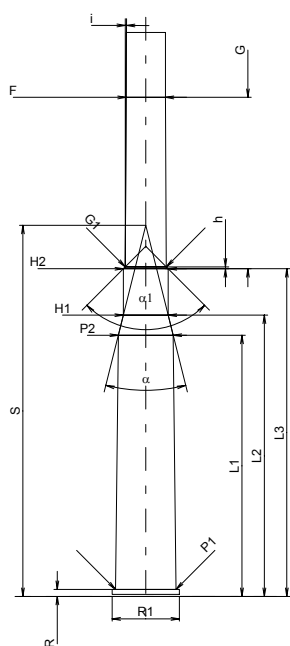
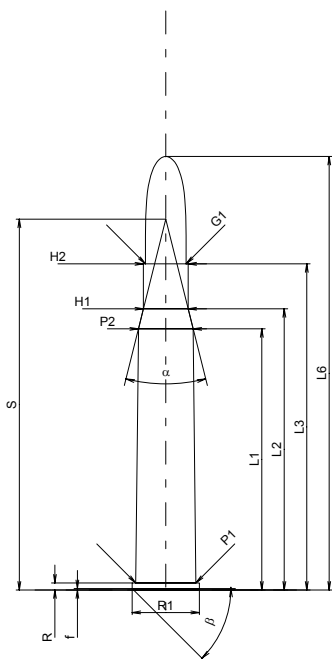
F ¹⁾ *	=	7.80
Z ¹⁾	=	8.07

Rayures

b	=	4.40
N	=	4
u	=	240.00
Q	=	50.30 mm ²

Autres indications

Fe ¹⁾	=	0.10
delta L	=	



Échelle 1:1.5

Dimensions en << mm >>
Dimensions et tolérances pour les canons
d'épreuve: Voyez Annexe CR 1.

Notes: 1) A' contrôler pour la sécurité
* Dimensions de base