

C.I.P.**8 x 57 R 360**

TAB.

II

Date

84-06-14

Pays d'origine: DE

Révision

02-05-15

CARTOUCHE MAXI**CHAMBRE MINI****Longueurs**

L1 *	=	46.00
L2 *	=	48.00
L3 ¹⁾	=	57.00
L4	=	
L5	=	
L6	=	77.00

Longueurs

L1 *	=	46.00
L2 *	=	48.00
L3 ¹⁾	=	57.30

Culot

R ¹⁾	=	1.35	-0.25
R1	=	12.40	
R3	=		
E	=		
E1	=		
e min	=		
δ	=		
f	=	0.30	
β	=	45°	

Cuvette

R ¹⁾	=	1.35
R1	=	12.45
R2	=	
R3	=	
r	=	

Chambre à poudre

P1	=	11.00
P2 *	=	9.70

Chambre à poudre

E	=	
P1 ¹⁾	=	11.03
P2 *	=	9.73

Cône de raccordement

α	=	25°54'20"
S	=	67.09
r1 min	=	0.50
r2	=	0.50

Cône de raccordement

α	=	25°54'21"
S	=	67.15
r1 max	=	0.50
r2	=	0.50

Collet

H1 *	=	8.78
H2 ¹⁾	=	8.78

Collet

H1 *	=	8.81
H2 ¹⁾	=	8.80

Projectile

G1 ¹⁾	=	8.09
G2	=	
F	=	
L3+G ¹⁾	=	91.00

Prise de rayures

G1 ¹⁾ *	=	8.14
G ¹⁾ *	=	34.00
α1	=	180°
h	=	
s	=	
i ¹⁾	=	0°17'11"
w	=	

Pressions (Énergies)**Méthode transducteur**

Pmax	=	2450 bar
PK	=	2818 bar
PE	=	3060 bar
M	=	25.00
EE	=	2170 Joule

Canon

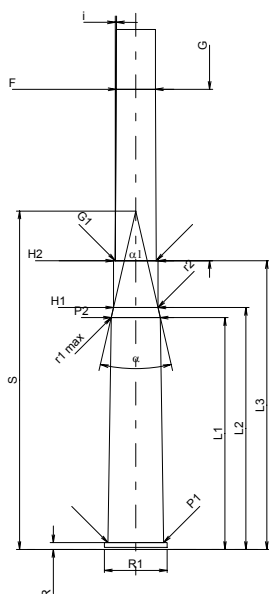
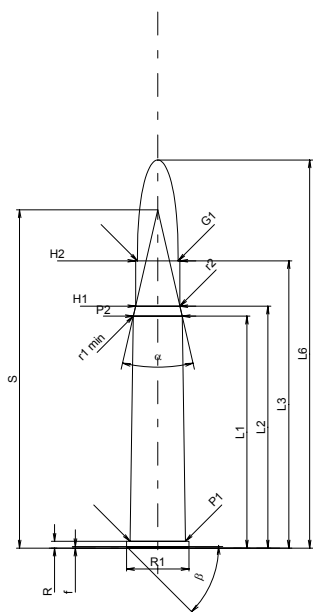
F ¹⁾ *	=	7.80
Z ¹⁾	=	8.07

Rayures

b	=	4.40
N	=	4
u	=	240.00
Q	=	50.30 mm ²

Autres indications

Fe ¹⁾	=	0.15
delta L	=	



Échelle 1:1.5

Dimensions en << mm >>
Dimensions et tolérances pour les canons
d'épreuve: Voyez Annexe CR 1.

Notes: 1) A' contrôler pour la sécurité
* Dimensions de base