

C.I.P.**8 x 56 R MPort.Krop.**

TAB.

II

Date

84-06-14

Pays d'origine: PT

Révision

02-05-15

CARTOUCHE MAXI**CHAMBRE MINI****Longueurs**

L1	=	38.65
L2	=	44.25
L3 ¹⁾	=	56.00
L4	=	
L5	=	
L6	=	81.00

Longueurs

L1	=	38.65
L2	=	44.21
L3 ¹⁾	=	56.40

Colot

R ¹⁾	=	2.00	-0.25
R1	=	15.90	
R3	=		
E	=		
E1	=		
e min	=		
δ	=		
f	=	1.00	
β	=	23°	

Cuvette

R ¹⁾	=	2.00
R1	=	16.00
R2	=	
R3	=	
r	=	

Chambre à poudre

P1	=	13.85
P2 *	=	12.00

Chambre à poudre

E	=	
P1 ¹⁾	=	13.88
P2 *	=	12.03

Cône de raccordement

α *	=	30°
S *	=	61.04
r1 min	=	10.00
r2	=	15.00

Cône de raccordement

α *	=	30°
S *	=	61.10
r1 max	=	10.00
r2	=	15.00

Collet

H1 *	=	9.00
H2 ¹⁾	=	9.00

Collet

H1 *	=	9.05
H2 ¹⁾	=	9.03

Projectile

G1 ¹⁾	=	8.20
G2	=	
F	=	
L3+G ¹⁾	=	76.00

Prise de rayures

G1 ¹⁾ *	=	8.25
G ¹⁾	=	20.00
α1 *	=	90°
h	=	0.39
s	=	
i ¹⁾ *	=	0°35'03"
w	=	

Pressions (Énergies)**Méthode transducteur**

Pmax	=	3400 bar
PK	=	3910 bar
PE	=	4250 bar
M	=	25.00
EE	=	2520 Joule

Canon

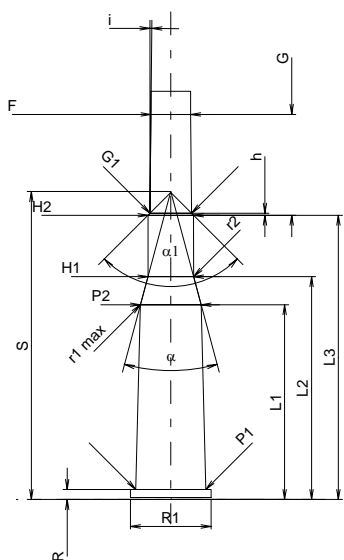
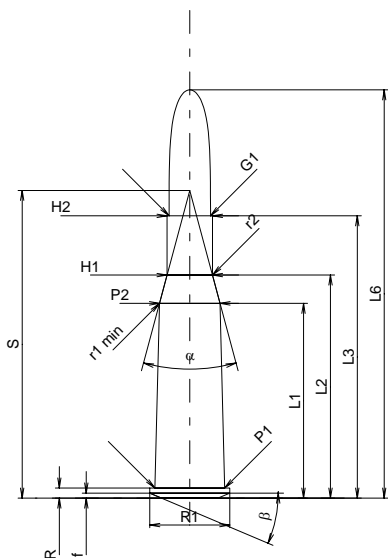
F ¹⁾ *	=	7.85
Z ¹⁾	=	8.20

Rayures

b	=	4.40
N	=	4
u	=	250.00
Q	=	51.66 mm ²

Autres indications

Fe ¹⁾	=	0.15
delta L	=	



Échelle 1:1.5

Dimensions en << mm >>
Dimensions et tolérances pour les canons
d'épreuve: Voyez Annexe CR 1.

Notes: 1) A' contrôler pour la sécurité
* Dimensions de base