

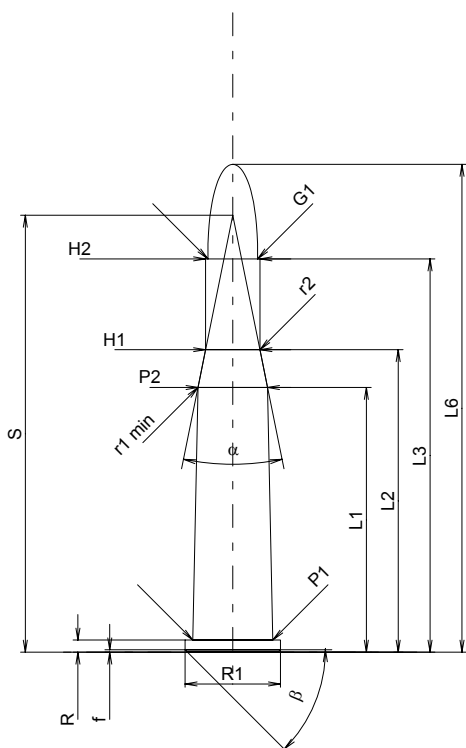
C.I.P.**6,5 x 52 R**

TAB. II

Date 84-06-14

Pays d'origine: DE

Révision 02-05-15

**CARTOUCHE MAXI****Longueurs**

| | | |
|------------------|---|-------|
| L1 [*] | = | 35.00 |
| L2 [*] | = | 40.00 |
| L3 ¹⁾ | = | 52.00 |
| L4 | = | |
| L5 | = | |
| L6 | = | 64.50 |

Colot

| | | | |
|-----------------|---|-------|-------|
| R ¹⁾ | = | 1.60 | -0.25 |
| R1 | = | 12.60 | |
| R3 | = | | |
| E | = | | |
| E1 | = | | |
| e min | = | | |
| delta | = | | |
| f | = | 0.30 | |
| beta | = | 45° | |

Chambre à poudre

| | | |
|-----------------|---|-------|
| P1 | = | 10.60 |
| P2 [*] | = | 9.20 |

Cône de raccordement

| | | |
|--------|---|-----------|
| alpha | = | 22°50'24" |
| S | = | 57.77 |
| r1 min | = | 0.50 |
| r2 | = | 0.50 |

Collet

| | | |
|------------------|---|------|
| H1 [*] | = | 7.18 |
| H2 ¹⁾ | = | 7.18 |

Projectile

| | | |
|--------------------|---|-------|
| G1 ¹⁾ | = | 6.58 |
| G2 | = | |
| F | = | |
| L3+G ¹⁾ | = | 68.00 |

Pressions (Énergies)**Méthode transducteur**

| | | |
|------|---|------------|
| Pmax | = | 2450 bar |
| PK | = | 2818 bar |
| PE | = | 3060 bar |
| M | = | 25.00 |
| EE | = | 1810 Joule |

Autres indications

| | | |
|------------------|---|------|
| Fe ¹⁾ | = | 0.15 |
| delta L | = | |

CHAMBRE MINI**Longueurs**

| | | |
|------------------|---|-------|
| L1 [*] | = | 35.00 |
| L2 [*] | = | 40.00 |
| L3 ¹⁾ | = | 52.30 |

Cuvette

| | | |
|-----------------|---|-------|
| R ¹⁾ | = | 1.60 |
| R1 | = | 12.65 |
| R2 | = | |
| R3 | = | |
| r | = | |

Chambre à poudre

| | | |
|------------------|---|-------|
| E | = | |
| P1 ¹⁾ | = | 10.63 |
| P2 [*] | = | 9.23 |

Cône de raccordement

| | | |
|--------|---|-----------|
| alpha | = | 22°50'24" |
| S | = | 57.85 |
| r1 max | = | 0.50 |
| r2 | = | 0.50 |

Collet

| | | |
|------------------|---|------|
| H1 [*] | = | 7.21 |
| H2 ¹⁾ | = | 7.20 |

Prise de rayures

| | | |
|--------------------|---|----------|
| G1 ¹⁾ * | = | 6.62 |
| G ¹⁾ * | = | 16.00 |
| alpha1 | = | 180° |
| h | = | |
| s | = | |
| i ¹⁾ | = | 0°34'22" |
| w | = | |

Canon

| | | |
|-------------------|---|------|
| F ¹⁾ * | = | 6.30 |
| Z ¹⁾ | = | 6.55 |

Rayures

| | | |
|---|---|-----------------------|
| b | = | 3.50 |
| N | = | 4 |
| u | = | 260.00 |
| Q | = | 33.02 mm ² |

Échelle 1:1

Dimensions en << mm >>
Dimensions et tolérances pour les canons
d'épreuve: Voyez Annexe CR 1.

Notes: 1) A' contrôler pour la sécurité
* Dimensions de base