

C.I.P.**348 Win.**

TAB.

II

Date

84-06-14

Pays d'origine: US

Révision

02-05-15

CARTOUCHE MAXI**CHAMBRE MINI****Longueurs**

L1	=	41.91
L2	=	45.83
L3 ¹⁾	=	57.28
L4	=	
L5	=	
L6	=	70.99

Longueurs

L1	=	42.17
L2	=	46.07
L3 ¹⁾	=	57.53

Colot

R ¹⁾	=	1.78	-0.25
R1	=	15.49	
R3	=		
E	=		
E1	=		
e min	=		
δ	=		
f	=	0.38	
β	=	35°	

Cuvette

R ¹⁾	=	1.78
R1	=	15.75
R2	=	
R3	=	
r	=	

Chambre à poudre

P1	=	14.05
P2 *	=	12.32

Chambre à poudre

E	=	
P1 ¹⁾	=	14.07
P2 *	=	12.34

Cône de raccordement

α *	=	38°07'59"
S *	=	59.73
r1 min	=	0.76
r2	=	2.54

Cône de raccordement

α *	=	38°19'58"
S *	=	59.92
r1 max	=	0.76
r2	=	2.54

Collet

H1 *	=	9.61
H2 ¹⁾	=	9.54

Collet

H1 *	=	9.63
H2 ¹⁾	=	9.56

Projectile

G1 ¹⁾	=	8.88
G2	=	
F	=	
L3+G ¹⁾	=	60.53

Prise de rayures

G1 ¹⁾ *	=	8.79
G ¹⁾	=	3.25
α1 *	=	90°
h	=	0.39
s	=	
i ¹⁾ *	=	1°30'
w	=	

Pressions (Énergies)**Méthode transducteur**

Pmax	=	3200 bar
PK	=	3680 bar
PE	=	4000 bar
M	=	25.00
EE	=	3640 Joule

Canon

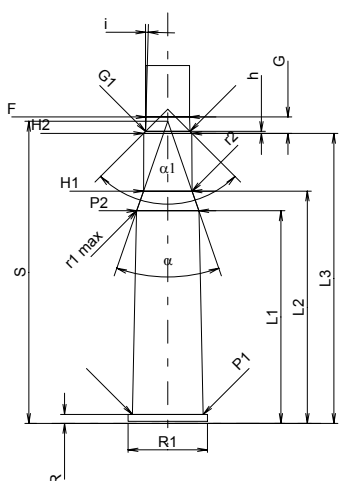
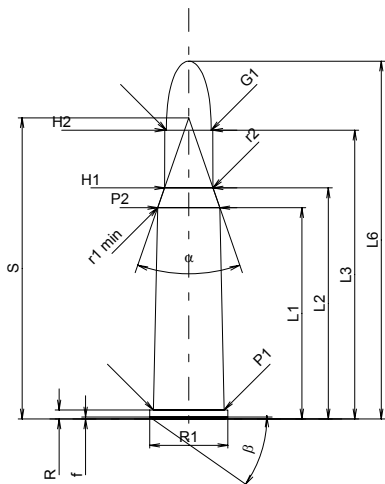
F ¹⁾ *	=	8.64
Z ¹⁾	=	8.84

Rayures

b	=	3.05
N	=	6
u	=	305.00
Q	=	60.50 mm ²

Autres indications

Fe ¹⁾	=	0.15
delta L	=	



Échelle 1:1.5

Dimensions en << mm >>
Dimensions et tolérances pour les canons
d'épreuve: Voyez Annexe CR 1.

Notes: 1) A' contrôler pour la sécurité
* Dimensions de base