

C.I.P.**308 Marlin Express**

TAB.

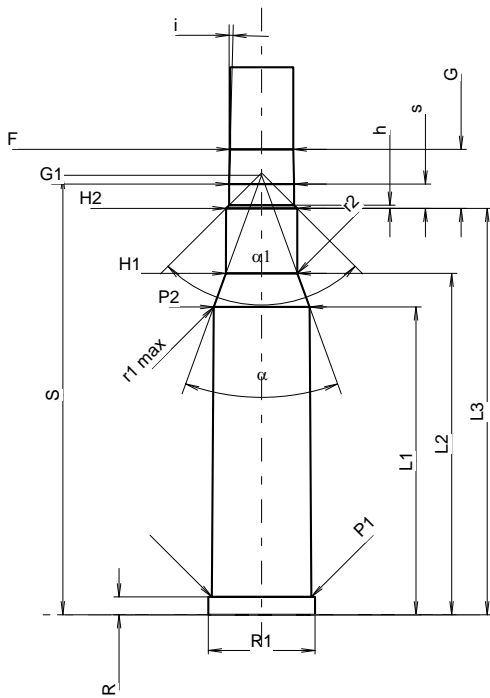
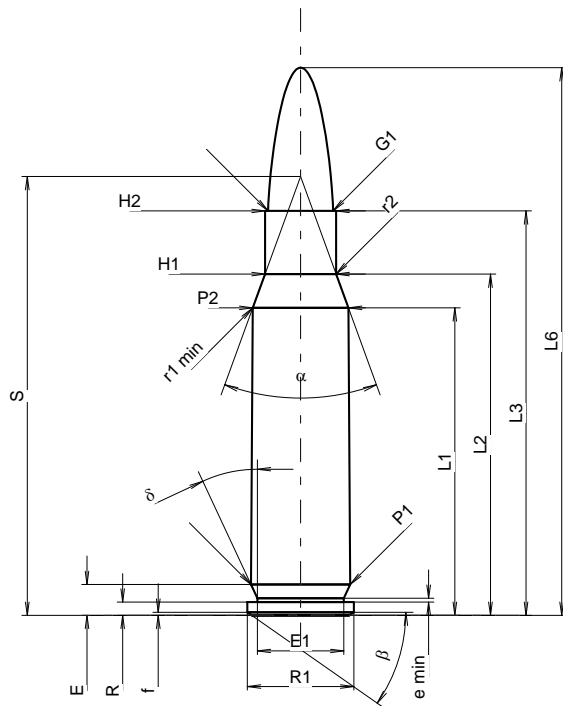
II

Date

09-05-05

Pays d'origine: US

Révision



Échelle 1.1:1

Dimensions en << mm >>
Dimensions et tolérances pour les canons
d'épreuve: Voyez Annexe CR 1.

CARTOUCHE MAXI**Longueurs**

| | | | |
|------------------|---|-------|-------|
| L1 ¹⁾ | = | 37.08 | -0.20 |
| L2 ¹⁾ | = | 41.16 | -0.20 |
| L3 ¹⁾ | = | 48.77 | |
| L4 | = | | |
| L5 | = | | |
| L6 | = | 66.04 | |

Culot

| | | | |
|-------|---|-------|--|
| R | = | 1.60 | |
| R1 | = | 12.85 | |
| R3 | = | | |
| E | = | 3.72 | |
| E1 | = | 10.41 | |
| e min | = | 0.46 | |
| delta | = | 25° | |
| f | = | 0.38 | |
| beta | = | 35° | |

Chambre à poudre

| | | | |
|--------------------|---|-------|-------|
| P1 | = | 11.96 | |
| P2 ¹⁾ * | = | 11.53 | -0.20 |

Cône de raccordement

| | | | |
|---------|---|-------|--|
| alpha * | = | 40° | |
| S * | = | 52.92 | |
| r1 min | = | 0.76 | |
| r2 | = | 2.54 | |

Collet

| | | | |
|------------------|---|------|--|
| H1 * | = | 8.56 | |
| H2 ¹⁾ | = | 8.56 | |

Projectile

| | | | |
|--------------------|---|-------|--|
| G1 ¹⁾ | = | 7.84 | |
| G2 | = | | |
| F | = | | |
| L3+G ¹⁾ | = | 55.89 | |

Pressions (Énergies)**Méthode transducteur**

| | | | |
|------|---|------------|--|
| Pmax | = | 3300 bar | |
| PK | = | 3795 bar | |
| PE | = | 4125 bar | |
| M | = | 25.00 | |
| EE | = | 3400 Joule | |

Autres indications

| | | | |
|--------------------|---|------|--|
| Fe ¹⁾³⁾ | = | 0.15 | |
| delta L | = | | |

Notes: 1) A' contrôler pour la sécurité
3) Feuillure sur la cone de raccordement
* Dimensions de base

CHAMBRE MINI**Longueurs**

| | | | |
|------------------|---|-------|--|
| L1 | = | 37.13 | |
| L2 | = | 41.18 | |
| L3 ¹⁾ | = | 49.02 | |

Cuvette

| | | | |
|----|---|-------|--|
| R | = | 2.16 | |
| R1 | = | 12.88 | |
| R2 | = | | |
| R3 | = | | |
| r | = | | |

Chambre à poudre

| | | | |
|------------------|---|-------|--|
| E | = | | |
| P1 ¹⁾ | = | 12.01 | |
| P2 * | = | 11.56 | |

Cône de raccordement

| | | | |
|-----------------------|---|-------|--|
| alpha ¹⁾ * | = | 40° | |
| S * | = | 53.00 | |
| r1 max | = | 0.76 | |
| r2 | = | 3.18 | |

Collet

| | | | |
|------------------|---|------|--|
| H1 * | = | 8.61 | |
| H2 ¹⁾ | = | 8.59 | |

Prise de rayures

| | | | |
|--------------------|---|-------|--|
| G1 ¹⁾ * | = | 7.84 | |
| G ¹⁾ | = | 7.12 | |
| alpha l | = | 90° | |
| h | = | 0.38 | |
| s * | = | 2.92 | |
| i ¹⁾ * | = | 1°30' | |
| w | = | | |

Canon

| | | | |
|-------------------|---|------|--|
| F ¹⁾ * | = | 7.62 | |
| Z ¹⁾ | = | 7.82 | |

Rayures

| | | | |
|---|---|--------|-----------------|
| b | = | 2.39 | |
| N | = | 6 | |
| u | = | 305.00 | |
| Q | = | 47.06 | mm ² |