

C.I.P.**30-40 Krag**

TAB.

II

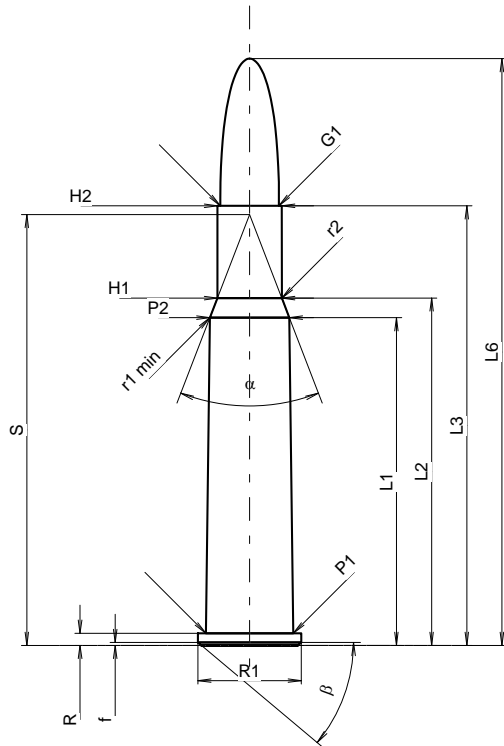
Date

84-06-14

Révision

11-05-25

Pays d'origine: US

**CARTOUCHE MAXI****Longueurs**

L1	=	43.82
L2	=	46.45
L3 ¹⁾	=	58.78
L4	=	
L5	=	
L6	=	78.46

Culot

R ¹⁾	=	1.63	-0.25
R1	=	13.84	
R3	=		
E	=		
E1	=		
e min	=		
delta	=		
f	=	0.39	
beta	=	40°	

Chambre à poudre

P1	=	11.71
P2 *	=	10.64

Cône de raccordement

alpha *	=	42°12'
S *	=	57.61
r1 min	=	3.94
r2	=	4.06

Collet

H1 *	=	8.61
H2 ¹⁾	=	8.59

Projectile

G1 ¹⁾	=	7.85
G2	=	
F	=	
L3+G ¹⁾	=	67.10

Pressions (Énergies)**Méthode transducteur**

Pmax	=	3250 bar
PK	=	3738 bar
PE	=	4060 bar
M	=	25.00
EE	=	3750 Joule

Autres indications

Fe ¹⁾⁴⁾	=	0.15
delta L	=	

CHAMBRE MINI**Longueurs**

L1	=	43.92
L2	=	46.56
L3 ¹⁾	=	58.98

Cuvette

R ¹⁾	=	1.63
R1	=	14.10
R2	=	
R3	=	
r	=	

Chambre à poudre

E	=	
P1 ¹⁾	=	11.74
P2 *	=	10.67

Cône de raccordement

alpha *	=	42°12'
S *	=	57.74
r1 max	=	3.94
r2	=	4.57

Collet

H1 *	=	8.63
H2 ¹⁾	=	8.61

Prise de rayures

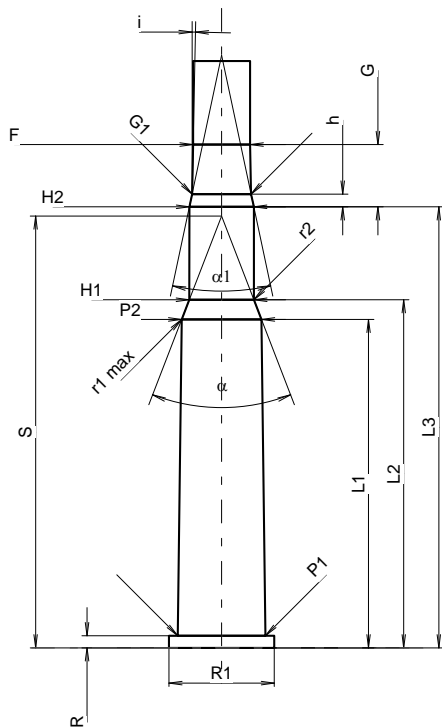
G1 ¹⁾ *	=	7.89
G ¹⁾	=	8.32
alpha1 *	=	24°
h	=	1.69
s	=	
i ¹⁾ *	=	1°10'
w	=	

Canon

F ¹⁾ *	=	7.62
Z ¹⁾	=	7.82

Rayures

b	=	2.39
N	=	6
u	=	254.00
Q	=	47.06 mm ²



Échelle 1:1.01

Dimensions en << mm >>
Dimensions et tolérances pour les canons
d'épreuve: Voyez Annexe CR 1.

Notes: 1) A' contrôler pour la sécurité
4) Feuillure sur la bourrelet
* Dimensions de base