

C.I.P.**9 x 57****TAB.****I****Date****84-06-14****Révision****04-05-18**

Pays d'origine: DE

CARTOUCHE MAXI**CHAMBRE MINI****Longueurs**

L1 ¹⁾ *	=	46.20	-0.20
L2 ¹⁾ *	=	47.82	-0.20
L3 ¹⁾	=	56.80	
L4	=		
L5	=		
L6	=	81.00	

Longueurs

L1 *	=	46.16
L2 *	=	47.74
L3 ¹⁾	=	57.10

Culot

R	=	1.30
R1	=	11.95
R3	=	
E	=	3.20
E1	=	10.50
e min	=	1.00
δ	=	38°39'35"
f	=	0.30
β	=	45°

Cuvette

R	=	1.30
R1	=	12.00
R2	=	
R3	=	
r	=	

Chambre à poudre

P1	=	11.94
P2 ¹⁾ *	=	10.95

Chambre à poudre

E	=	3.20
P1 ¹⁾	=	11.97
P2 *	=	10.98

Cône de raccordement

α	=	38°08'18"
S	=	62.04
r1 min	=	0.50
r2	=	0.50

Cône de raccordement

α ¹⁾	=	38°23'10"
S	=	61.93
r1 max	=	0.50
r2	=	0.50

Collet

H1 *	=	9.83
H2 ¹⁾	=	9.83

Collet

H1 *	=	9.88
H2 ¹⁾	=	9.87

Projectile

G1 ¹⁾	=	9.08
G2	=	
F	=	
L3+G ¹⁾	=	90.10

Prise de rayures

G1 ¹⁾ *	=	9.15
G ¹⁾ *	=	33.30
α 1	=	90°
h	=	0.36
s	=	
i ¹⁾	=	0°19'06"
w	=	

Pressions (Énergies)**Méthode transducteur**

Pmax	=	2800 bar
PK	=	3220 bar
PE	=	3500 bar
M	=	25.00
EE	=	3650 Joule

Canon

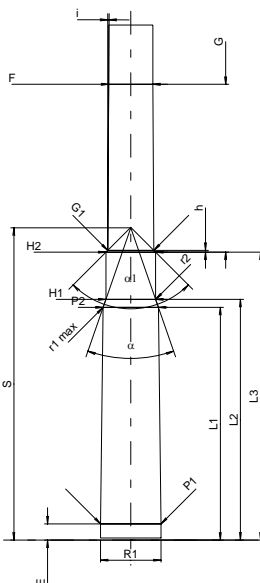
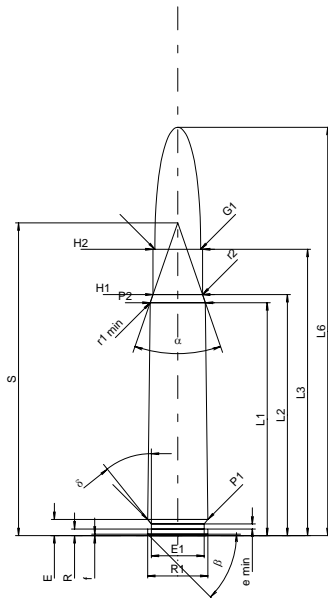
F ¹⁾ *	=	8.78
Z ¹⁾	=	9.06

Rayures

b	=	4.60
N	=	4
u	=	360.00
Q	=	63.25 mm ²

Autres indications

Fe ¹⁾	=	0.15
delta L	=	



Échelle 1:1.5

Dimensions en << mm >>
Dimensions et tolérances pour les canons
d'épreuve: Voyez Annexe CR 1.

Notes: 1) A' contrôler pour la sécurité
* Dimensions de base