

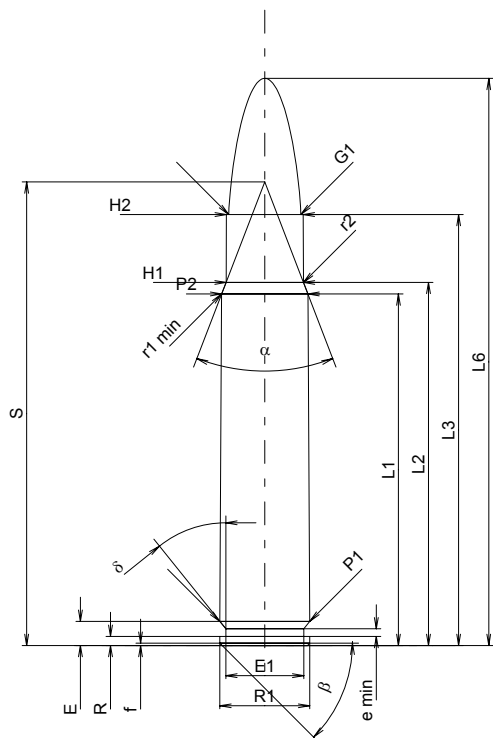
C.I.P.**9,5 x 57 Mannl. Sch.**

TAB. I

Date 95-06-28

Pays d'origine: AT

Révision 02-05-15

**CARTOUCHE MAXI****Longueurs**

L1 ¹⁾ *	=	46.50	-0.20
L2 ¹⁾ *	=	48.02	-0.20
L3 ¹⁾	=	57.00	
L4	=		
L5	=		
L6	=	75.00	

Culot

R	=	1.20	
R1	=	11.90	
R3	=		
E	=	3.20	
E1	=	10.30	
e min	=	1.00	
delta	=	38°39'35"	
f	=	0.30	
beta	=	45°	

Chambre à poudre

P1	=	11.90	
P2 ¹⁾ *	=	11.40	-0.20

Cône de raccordement

alpha	=	42°06'01"	
S	=	61.31	
r1 min	=	0.50	
r2	=	0.50	

Collet

H1 *	=	10.23	
H2 ¹⁾	=	10.18	

Projectile

G1 ¹⁾	=	9.55	
G2	=		
F	=		
L3+G ¹⁾	=	68.40	

Pressions (Énergies)**Méthode transducteur**

Pmax	=	3050 bar	
PK	=	3508 bar	
PE	=	3810 bar	
M	=	25.00	
EE	=	6065 Joule	

Autres indications

Fe ¹⁾	=	0.15	
delta L	=		

CHAMBRE MINI**Longueurs**

L1 *	=	46.46	
L2 *	=	47.96	
L3 ¹⁾	=	57.30	

Cuvette

R	=	1.20	
R1	=	11.95	
R2	=		
R3	=		
r	=		

Chambre à poudre

E	=	3.20	
P1 ¹⁾	=	11.93	
P2 *	=	11.43	

Cône de raccordement

alpha ¹⁾	=	41°56'49"	
S	=	61.37	
r1 max	=	0.50	
r2	=	0.50	

Collet

H1 *	=	10.28	
H2 ¹⁾	=	10.22	

Prise de rayures

G1 ¹⁾ *	=	9.65	
G ¹⁾ *	=	11.40	
alpha1	=	180°	
h	=		
s	=		
i ¹⁾	=	0°57'17"	
w	=		

Canon

F ¹⁾ *	=	9.27	
Z ¹⁾	=	9.62	

Rayures

b	=	4.60	
N	=	4	
u	=	300.00	
Q	=	70.85	mm ²

Échelle 1:1

Dimensions en << mm >>
Dimensions et tolérances pour les canons
d'épreuve: Voyez Annexe CR 1.

Notes: 1) A' contrôler pour la sécurité
* Dimensions de base