

C.I.P.**9,3 x 64 Brenneke**

TAB.

I

Date

84-06-14

Révision

02-05-15

Pays d'origine: DE

CARTOUCHE MAXI**CHAMBRE MINI****Longueurs**

L1 ¹⁾	=	52.09	-0.20
L2 ¹⁾	=	55.28	-0.20
L3 ¹⁾	=	64.00	
L4	=		
L5	=	70.00	
L6	=	85.60	

Longueurs

L1 [*]	=	52.04
L2 [*]	=	55.23
L3 ¹⁾	=	64.30

Culot

R	=	1.30
R1	=	12.60
R3	=	
E	=	3.20
E1	=	11.20
e min	=	1.00
δ	=	43°
f	=	0.30
β	=	45°

Cuvette

R	=	1.30
R1	=	12.65
R2	=	
R3	=	
r	=	

Chambre à poudre

P1	=	12.88	
P2 ¹⁾ *	=	12.05	-0.20

Chambre à poudre

E	=	3.20
P1 ¹⁾	=	12.91
P2 [*]	=	12.08

Cône de raccordement

α	=	34°58'26"
S	=	71.21
r1 min	=	0.50
r2	=	0.50

Cône de raccordement

α ¹⁾	=	34°58'26"
S	=	71.21
r1 max	=	0.50
r2	=	0.50

Collet

H1 [*]	=	10.04
H2 ¹⁾	=	10.04

Collet

H1 [*]	=	10.07
H2 ¹⁾	=	10.06

Projectile

G1 ¹⁾	=	9.30
G2	=	9.25
F	=	
L3+G ¹⁾	=	92.00

Prise de rayures

G1 ¹⁾ *	=	9.35
G ¹⁾ *	=	28.00
α1	=	180°
h	=	
s	=	
i ¹⁾	=	0°21'29"
w	=	

Pressions (Énergies)**Méthode transducteur**

Pmax	=	4400 bar
PK	=	5060 bar
PE	=	5500 bar
M	=	25.00
EE	=	5335 Joule

Canon

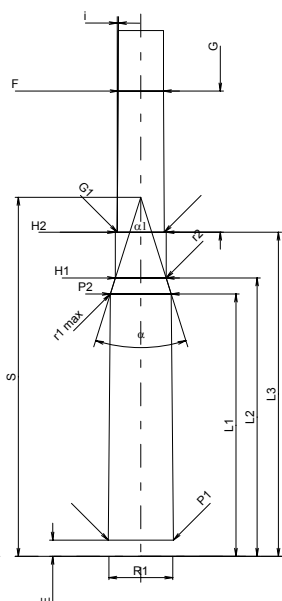
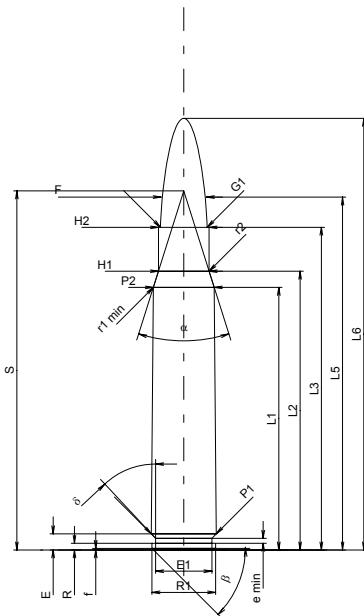
F ¹⁾ *	=	9.00
Z ¹⁾	=	9.28

Rayures

b	=	4.60
N	=	4
u	=	360.00
Q	=	66.32 mm ²

Autres indications

Fe ¹⁾	=	0.10
delta L	=	



Échelle 1:1.5

Dimensions en << mm >>
Dimensions et tolérances pour les canons
d'épreuve: Voyez Annexe CR 1.

Notes: 1) A' contrôler pour la sécurité
* Dimensions de base