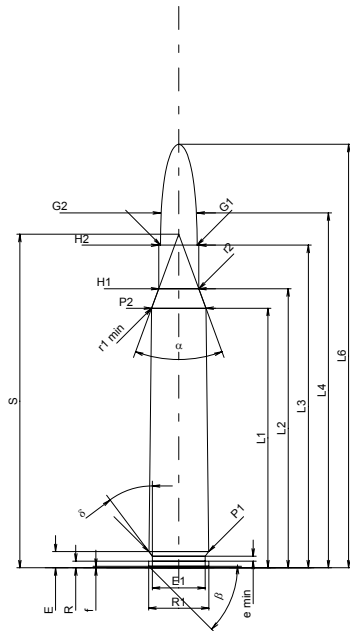


C.I.P.**7 x 64****TAB.****I****Date****84-06-14**

Pays d'origine: DE

Révision**02-05-15****CARTOUCHE MAXI****Longueurs**

L1 ¹⁾ *	=	51.50	-0.20
L2 ¹⁾ *	=	55.37	-0.20
L3 ¹⁾	=	64.00	
L4	=	70.40	
L5	=		
L6	=	84.00	

Culot

R	=	1.30	
R1	=	11.95	
R3	=		
E	=	3.20	
E1	=	10.50	
e min	=	1.00	
delta	=	36°52'12"	
f	=	0.30	
beta	=	45°	

Chambre à poudre

P1	=	11.85	
P2 ¹⁾ *	=	10.80	-0.20

Cône de raccordement

alpha	=	40°25'44"	
S	=	66.17	
r1 min	=	0.50	
r2	=	0.50	

Collet

H1 *	=	7.95	
H2 ¹⁾	=	7.95	

Projectile

G1 ¹⁾	=	7.25	
G2	=	7.25	
F	=		
L3+G ¹⁾	=	98.00	

Pressions (Énergies)**Méthode transducteur**

Pmax	=	4150 bar	
PK	=	4773 bar	
PE	=	5190 bar	
M	=	25.00	
EE	=	4270 Joule	

Autres indications

Fe ¹⁾	=	0.10	
delta L	=		

CHAMBRE MINI**Longueurs**

L1 *	=	51.46	
L2 *	=	55.32	
L3 ¹⁾	=	64.30	

Cuvette

R	=	1.30	
R1	=	12.00	
R2	=		
R3	=		
r	=		

Chambre à poudre

E	=	3.20	
P1 ¹⁾	=	11.88	
P2 *	=	10.83	

Cône de raccordement

alpha ¹⁾	=	40°31'33"	
S	=	66.13	
r1 max	=	0.50	
r2	=	0.50	

Collet

H1 *	=	7.98	
H2 ¹⁾	=	7.97	

Prise de rayures

G1 ¹⁾ *	=	7.32	
G ¹⁾ *	=	34.00	
alpha1	=	180°	
h	=		
s	=		
i ¹⁾	=	0°17'11"	
w	=		

Canon

F ¹⁾ *	=	6.98	
Z ¹⁾	=	7.24	

Rayures

b	=	3.70	
N	=	4	
u	=	220.00	
Q	=	40.29	mm ²

Échelle 1:1.5

Dimensions en << mm >>
Dimensions et tolérances pour les canons
d'épreuve: Voyez Annexe CR 1.

Notes: 1) A' contrôler pour la sécurité
* Dimensions de base