

C.I.P.**7,5 x 54 MAS**

TAB.

I

Datum

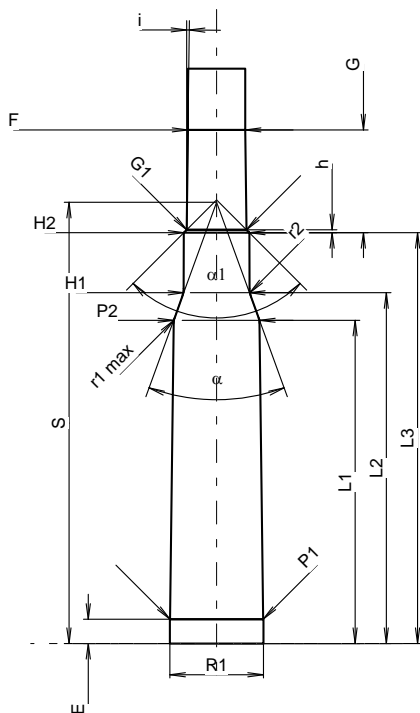
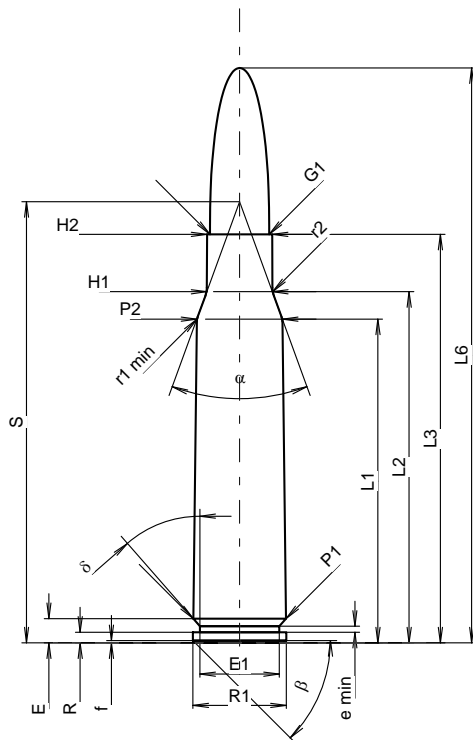
07-05-14

Revision

21-04-07

Ursprungsland: FR

Alternative Namen: 7,5 x 54 French



Maßstab 1.0:1

Maße in << mm >>
Maße und Toleranzen für Messläufe
siehe Anhang CR 1.

PATRONE MAXI**Längen**

L1 ¹⁾	=	42.79	-0.20
L2 ¹⁾	=	46.42	-0.20
L3 ¹⁾	=	54.00	
L4	=		
L5	=		
L6	=	76.00	

Hülsenboden

R	=	1.40	
R1	=	12.34	
R3	=		
E	=	3.20	
E1	=	10.50	
e min	=	0.80	
delta	=	41°11'9"	
f	=	0.30	
beta	=	45°	

Pulverkammer

P1	=	12.25	
P2 ¹⁾ *	=	11.30	-0.20

Schulterkonus

alpha [*]	=	40°	
S [*]	=	58.32	
r1 min	=	2.00	
r2	=	3.20	

Hülsenhals

H1 [*]	=	8.66	
H2 ¹⁾	=	8.62	

Geschoss

G1 ¹⁾	=	7.84	
G2	=		
F	=		
L3+G ¹⁾	=	67.58	

Drücke (Energien)**Mech. elektr. Wandler**

Pmax	=	3800 bar	
PK	=	4370 bar	
PE	=	4750 bar	
M	=	25.00	
EE	=	3250 Joule	

Verschiedene Daten

Fe ¹⁾³⁾	=	0.15	
delta L	=		

PATRONELAGER MINI**Längen**

L1	=	42.73	
L2	=	46.37	
L3 ¹⁾	=	54.32	

Stoßboden

R	=		
R1	=	12.39	
R2	=		
R3	=		
r	=		

Pulverkammer

E	=	3.20	
P1 ¹⁾	=	12.30	
P2 [*]	=	11.35	

Schulterkonus

alpha ¹⁾ *	=	40°	
S [*]	=	58.32	
r1 max	=	2.00	
r2	=	3.20	

Hülsenhals

H1 [*]	=	8.70	
H2 ¹⁾	=	8.66	

Geschossübergang

G1 ¹⁾ *	=	7.90	
G ¹⁾	=	13.58	
alpha1 [*]	=	90°	
h	=	0.38	
s	=		
i ¹⁾ *	=	0°42'58"	
w	=		

Lauf

F ¹⁾ *	=	7.57	
Z ¹⁾	=	7.85	

Züge

b	=	3.70	
N	=	4	
u	=	270.00	
Q	=	47.17	mm ²

Bemerkungen: 1) Kontrolle aus Sicherheitsgründen
3) Verschlussabstand an Schulter
* Grundmaße