

C.I.P.**416 Rigby**

TAB. I

Date 84-06-14

Pays d'origine: GB

Révision 21-04-07

CARTOUCHE MAXI**CHAMBRE MINI****Longueurs**

L1 ¹⁾ *	=	59.77	-0.20
L2 ¹⁾ *	=	60.96	-0.20
L3 ¹⁾	=	73.66	
L4	=		
L5	=		
L6	=	95.25	

Longueurs

L1 *	=	59.72
L2 *	=	60.91
L3 ¹⁾	=	73.96

Culot

R	=	1.65
R1	=	14.99
R3	=	
E	=	3.81
E1	=	12.70
e min	=	0.81
δ	=	$\approx 39.930000^\circ$
f	=	
β	=	0°

Cuvette

R	=	1.65
R1	=	15.04
R2	=	
R3	=	
r	=	

Chambre à poudre

P1	=	14.96
P2 ¹⁾ *	=	13.72

Chambre à poudre

E	=	3.81
P1 ¹⁾	=	14.99
P2 *	=	13.74

Cône de raccordement

α	=	$89^\circ 45' 32''$
S	=	66.66
r1 min	=	1.50
r2	=	1.50

Cône de raccordement

α ¹⁾	=	$89^\circ 30' 59''$
S	=	66.65
r1 max	=	1.50
r2	=	1.50

Collet

H1 *	=	11.35
H2 ¹⁾	=	11.33

Collet

H1 *	=	11.38
H2 ¹⁾	=	11.35

Projectile

G1 ¹⁾	=	10.57
G2	=	
F	=	
L3+G ¹⁾	=	81.28

Prise de rayures

G1 ¹⁾ *	=	10.59
G ¹⁾ *	=	7.62
$\alpha 1$	=	90°
h *	=	0.38
s	=	
i ¹⁾	=	$0^\circ 54' 36''$
w	=	

Pressions (Énergies)**Méthode transducteur**

Pmax	=	3250 bar
PK	=	3738 bar
PE	=	4060 bar
M	=	25.00
EE	=	7270 Joule

Canon

F ¹⁾ *	=	10.36
Z ¹⁾	=	10.57

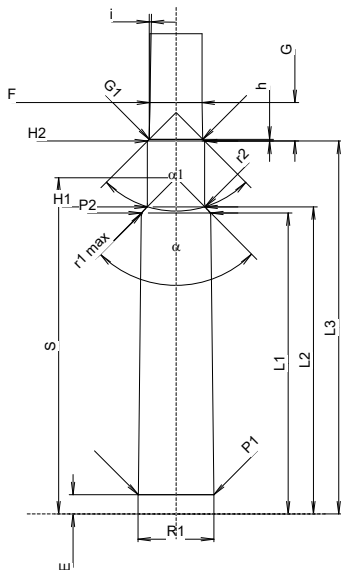
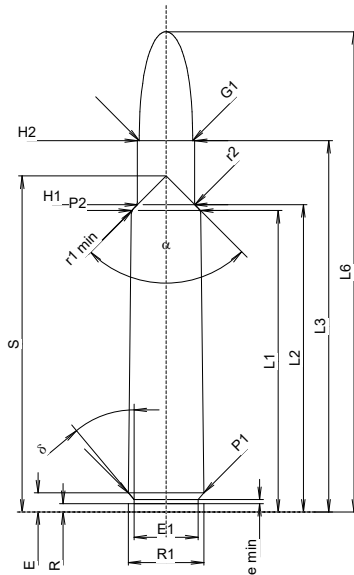
Rayures

b	=	3.60
N	=	6
u	=	420.00
Q	=	86.61 mm ²

Autres indications

Fe ¹⁾	=	0.15
delta L	=	

Notes: 1) A' contrôler pour la sécurité
* Dimensions de base



Échelle 1:1.5

Dimensions en << mm >>
Dimensions et tolérances pour les canons
d'épreuve: Voyez Annexe CR 1.