

C.I.P.**338 Rem. Ultra Mag.**

TAB.

I

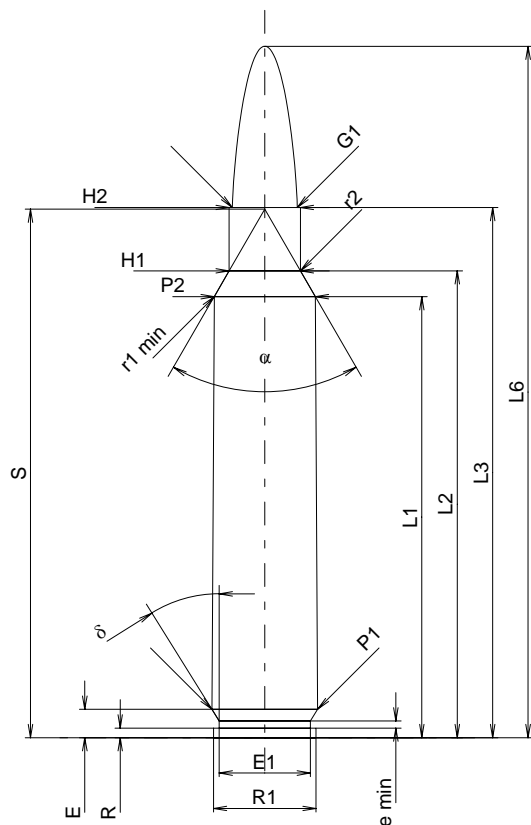
Date

00-10-20

Pays d'origine: US

Révision

04-05-18

**CARTOUCHE MAXI****Longueurs**

| | | | |
|------------------|---|-------|-------|
| L1 ¹⁾ | = | 58.32 | -0.20 |
| L2 ¹⁾ | = | 61.73 | -0.20 |
| L3 ¹⁾ | = | 70.11 | |
| L4 | = | | |
| L5 | = | | |
| L6 | = | 91.44 | |

Culot

| | | | |
|-------|---|-------|--|
| R | = | 1.27 | |
| R1 | = | 13.57 | |
| R3 | = | | |
| E | = | 3.75 | |
| E1 | = | 12.06 | |
| e min | = | 0.94 | |
| delta | = | 32° | |
| f | = | | |
| beta | = | 35° | |

Chambre à poudre

| | | | |
|-------------------|---|-------|-------|
| P1 | = | 13.98 | |
| P2 ^{1)*} | = | 13.37 | -0.20 |

Cône de raccordement

| | | | |
|--------|---|-------|--|
| alpha* | = | 60° | |
| S* | = | 69.90 | |
| r1 min | = | 1.52 | |
| r2 | = | 3.17 | |

Collet

| | | | |
|------------------|---|------|--|
| H1* | = | 9.43 | |
| H2 ¹⁾ | = | 9.43 | |

Projectile

| | | | |
|--------------------|---|-------|--|
| G1 ¹⁾ | = | 8.60 | |
| G2 | = | | |
| F | = | | |
| L3+G ¹⁾ | = | 81.18 | |

Pressions (Énergies)**Méthode transducteur**

| | | | |
|------|---|------------|--|
| Pmax | = | 4400 bar | |
| PK | = | 5060 bar | |
| PE | = | 5500 bar | |
| M | = | 25.00 | |
| EE | = | 6090 Joule | |

Autres indications

| | | | |
|------------------|---|------|--|
| Fe ¹⁾ | = | 0.10 | |
| delta L | = | | |

CHAMBRE MINI**Longueurs**

| | | | |
|------------------|---|-------|--|
| L1 | = | 58.19 | |
| L2 | = | 61.58 | |
| L3 ¹⁾ | = | 70.36 | |

Cuvette

| | | | |
|----|---|-------|--|
| R | = | | |
| R1 | = | 14.05 | |
| R2 | = | | |
| R3 | = | | |
| r | = | | |

Chambre à poudre

| | | | |
|------------------|---|-------|--|
| E | = | 3.75 | |
| P1 ¹⁾ | = | 14.02 | |
| P2* | = | 13.38 | |

Cône de raccordement

| | | | |
|----------------------|---|-------|--|
| alpha ^{1)*} | = | 60° | |
| S* | = | 69.78 | |
| r1 max | = | 0.76 | |
| r2 | = | 3.17 | |

Collet

| | | | |
|------------------|---|------|--|
| H1* | = | 9.47 | |
| H2 ¹⁾ | = | 9.44 | |

Prise de rayures

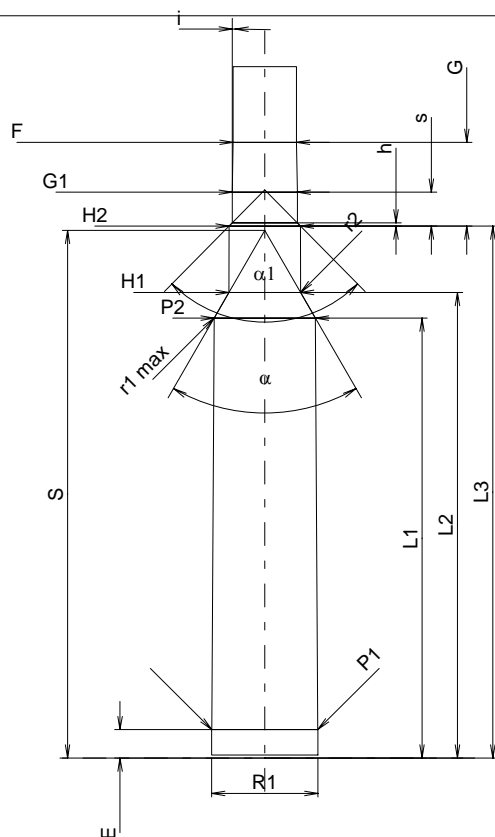
| | | | |
|-------------------|---|-----------|--|
| G1 ^{1)*} | = | 8.61 | |
| G ¹⁾ | = | 11.07 | |
| alpha1 | = | 89°18'50" | |
| h | = | 0.42 | |
| s* | = | 4.48 | |
| i ^{1)*} | = | 1° | |
| w | = | | |

Canon

| | | | |
|------------------|---|------|--|
| F ^{1)*} | = | 8.38 | |
| Z ¹⁾ | = | 8.59 | |

Rayures

| | | | |
|---|---|--------|-----------------|
| b | = | 2.79 | |
| N | = | 6 | |
| u | = | 254.00 | |
| Q | = | 56.95 | mm ² |



Échelle 1:1

Dimensions en << mm >>
Dimensions et tolérances pour les canons
d'épreuve: Voyez Annexe CR 1.

Notes: 1) A' contrôler pour la sécurité
* Dimensions de base