

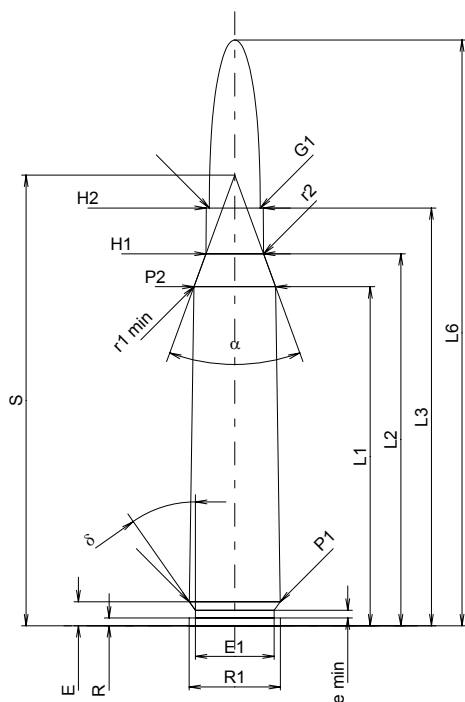
C.I.P.**256 Mag. Gibbs**

TAB. I

Date 84-06-14

Pays d'origine: GB

Révision 02-05-15

**CARTOUCHE MAXI****Longueurs**

| | | | |
|--------------------|---|-------|-------|
| L1 ¹⁾ * | = | 44.83 | -0.20 |
| L2 ¹⁾ * | = | 49.20 | -0.20 |
| L3 ¹⁾ | = | 55.25 | |
| L4 | = | | |
| L5 | = | | |
| L6 | = | 77.47 | |

Culot

| | | | |
|-------|---|-----------|--|
| R | = | 1.02 | |
| R1 | = | 12.09 | |
| R3 | = | | |
| E | = | 3.18 | |
| E1 | = | 10.41 | |
| e min | = | 1.02 | |
| δ | = | 35°03'36" | |
| f | = | | |
| β | = | | |

Chambre à poudre

| | | | |
|--------------------|---|-------|-------|
| P1 | = | 12.01 | |
| P2 ¹⁾ * | = | 10.82 | -0.20 |

Cône de raccordement

| | | | |
|--------|---|-----------|--|
| α | = | 40°13'07" | |
| S | = | 59.61 | |
| r1 min | = | 7.11 | |
| r2 | = | 5.08 | |

Collet

| | | | |
|------------------|---|------|--|
| H1 * | = | 7.62 | |
| H2 ¹⁾ | = | 7.52 | |

Projectile

| | | | |
|--------------------|---|-------|--|
| G1 ¹⁾ | = | 6.73 | |
| G2 | = | | |
| F | = | | |
| L3+G ¹⁾ | = | 60.23 | |

Pressions (Énergies)**Méthode transducteur**

| | | | |
|------|---|------------|--|
| Pmax | = | 3400 bar | |
| PK | = | 3910 bar | |
| PE | = | 4250 bar | |
| M | = | 25.00 | |
| EE | = | 2645 Joule | |

Autres indications

| | | | |
|------------------|---|------|--|
| Fe ¹⁾ | = | 0.15 | |
| delta L | = | | |

CHAMBRE MINI**Longueurs**

| | | | |
|------------------|---|-------|--|
| L1 * | = | 44.78 | |
| L2 * | = | 49.20 | |
| L3 ¹⁾ | = | 55.55 | |

Cuvette

| | | | |
|----|---|-------|--|
| R | = | 1.02 | |
| R1 | = | 12.14 | |
| R2 | = | | |
| R3 | = | | |
| r | = | | |

Chambre à poudre

| | | | |
|------------------|---|-------|--|
| E | = | 3.18 | |
| P1 ¹⁾ | = | 12.04 | |
| P2 * | = | 10.87 | |

Cône de raccordement

| | | | |
|-----------------|---|-----------|--|
| α ¹⁾ | = | 40°01'44" | |
| S | = | 59.70 | |
| r1 max | = | | |
| r2 | = | | |

Collet

| | | | |
|------------------|---|------|--|
| H1 * | = | 7.65 | |
| H2 ¹⁾ | = | 7.54 | |

Prise de rayures

| | | | |
|--------------------|---|----------|--|
| G1 ¹⁾ * | = | 6.74 | |
| G ¹⁾ * | = | 4.98 | |
| α1 | = | 90° | |
| h * | = | 0.40 | |
| s | = | | |
| i ¹⁾ | = | 1°30'02" | |
| w | = | | |

Canon

| | | | |
|-------------------|---|------|--|
| F ¹⁾ * | = | 6.50 | |
| Z ¹⁾ | = | 6.72 | |

Rayures

| | | | |
|---|---|-------|-----------------|
| b | = | | |
| N | = | | |
| u | = | | |
| Q | = | 33.18 | mm ² |

Échelle 1:1

Dimensions en << mm >>
Dimensions et tolérances pour les canons
d'épreuve: Voyez Annexe CR 1.

Notes: 1) A' contrôler pour la sécurité
* Dimensions de base