

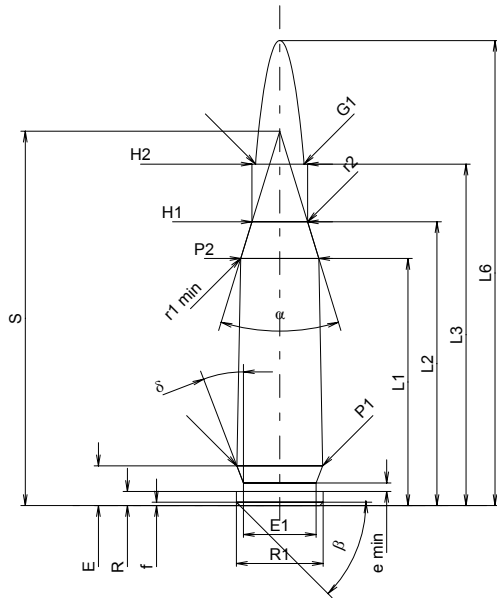
C.I.P.**17 Libra**

TAB. I

Date 01-01-22

Pays d'origine: CZ

Révision 02-05-15

**CARTOUCHE MAXI****Longueurs**

L1 ¹⁾	=	21.78	-0.20
L2 ¹⁾	=	25.01	-0.20
L3 ¹⁾	=	30.10	
L4	=		
L5	=		
L6	=	41.00	

Culot

R	=	1.24	
R1	=	7.65	
R3	=		
E	=	3.50	
E1	=	6.40	
e min	=	0.75	
delta	=	20°	
f	=	0.30	
beta	=	45°	

Chambre à poudre

P1	=	7.56	
P2 ¹⁾ *	=	6.88	-0.20

Cône de raccordement

alpha	=	34°04'50"	
S	=	33.00	
r1 min	=	0.64	
r2	=	2.54	

Collet

H1*	=	4.90	
H2 ¹⁾	=	4.90	

Projectile

G1 ¹⁾	=	4.28	
G2	=		
F	=		
L3+G ¹⁾	=	32.87	

Pressions (Énergies)**Méthode transducteur**

Pmax	=	4300 bar	
PK	=	4945 bar	
PE	=	5375 bar	
M	=	17.50	
EE	=	1500 Joule	

Autres indications

Fe ¹⁾	=	0.10	
delta L	=		

CHAMBRE MINI**Longueurs**

L1*	=	21.35	
L2*	=	24.63	
L3 ¹⁾	=	30.20	

Cuvette

R	=		
R1	=	7.67	
R2	=		
R3	=		
r	=		

Chambre à poudre

E	=	2.77	
P1 ¹⁾	=	7.62	
P2*	=	7.00	

Cône de raccordement

alpha ¹⁾	=	34°13'48"	
S	=	32.72	
r1 max	=	0.64	
r2	=	3.18	

Collet

H1*	=	4.98	
H2 ¹⁾	=	4.90	

Prise de rayures

G1 ¹⁾ *	=	4.40	
G ¹⁾ *	=	2.77	
alpha1	=	90°	
h*	=	0.25	
s	=		
i ¹⁾	=	1°28'39"	
w	=		

Canon

F ¹⁾ *	=	4.27	
Z ¹⁾	=	4.40	

Rayures

b	=	1.57	
N	=	6	
u	=	229.00	
Q	=	14.95	mm ²

Échelle 1.5:1

Dimensions en << mm >>
Dimensions et tolérances pour les canons
d'épreuve: Voyez Annexe CR 1.

Notes: 1) A' contrôler pour la sécurité
* Dimensions de base