

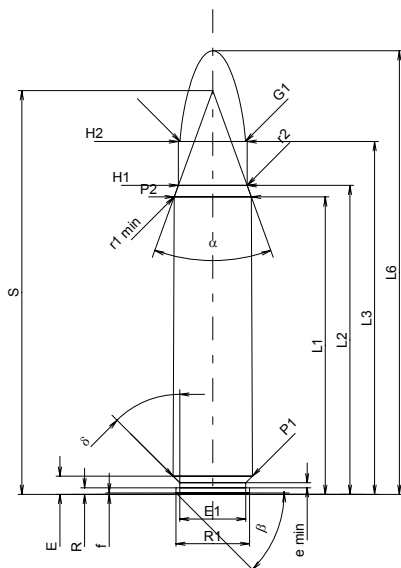
C.I.P.**12,7 x 70 (500 Schüler)**

TAB. I

Date 98-01-27

Révision 02-05-15

Pays d'origine: DE

**CARTOUCHE MAXI****Longueurs**

L1 ^{1)*}	=	59.00	-0.20
L2 ^{1)*}	=	61.30	-0.20
L3 ¹⁾	=	70.00	
L4	=		
L5	=		
L6	=	88.00	

Culot

R	=	1.30	
R1	=	14.65	
R3	=		
E	=	3.61	
E1	=	13.10	
e min	=	1.00	
delta	=	45°	
f	=	0.30	
beta	=	45°	

Chambre à poudre

P1	=	15.73	
P2 ^{1)*}	=	15.32	-0.20

Cône de raccordement

alpha	=	39°54'22"	
S	=	80.10	
r1 min	=	3.00	
r2	=	4.00	

Collet

H1*	=	13.65	
H2 ¹⁾	=	13.65	

Projectile

G1 ¹⁾	=	12.96	
G2	=		
F	=		
L3+G ¹⁾	=	77.22	

Pressions (Énergies)**Méthode transducteur**

Pmax	=	3300 bar	
PK	=	3795 bar	
PE	=	4125 bar	
M	=	25.00	
EE	=	9240 Joule	

Autres indications

Fe ¹⁾	=	0.15	
delta L	=		

CHAMBRE MINI**Longueurs**

L1*	=	58.96	
L2*	=	61.23	
L3 ¹⁾	=	70.50	

Cuvette

R	=	1.30	
R1	=	14.70	
R2	=		
R3	=		
r	=		

Chambre à poudre

E	=	3.61	
P1 ¹⁾	=	15.76	
P2*	=	15.35	

Cône de raccordement

alpha ¹⁾	=	39°56'45"	
S	=	80.08	
r1 max	=	1.00	
r2	=	4.00	

Collet

H1*	=	13.70	
H2 ¹⁾	=	13.68	

Prise de rayures

G1 ^{1)*}	=	13.05	
G ^{1)*}	=	7.22	
alpha1	=	90°	
h*	=	0.31	
s	=		
i ¹⁾	=	1°51'54"	
w	=		

Canon

F ^{1)*}	=	12.60	
Z ¹⁾	=	12.94	

Rayures

b	=	3.58	
N	=	8	
u	=	450.00	
Q	=	129.62	mm ²

Échelle 1:1.5

Dimensions en << mm >>
Dimensions et tolérances pour les canons
d'épreuve: Voyez Annexe CR 1.

Notes: 1) A' contrôler pour la sécurité
* Dimensions de base